

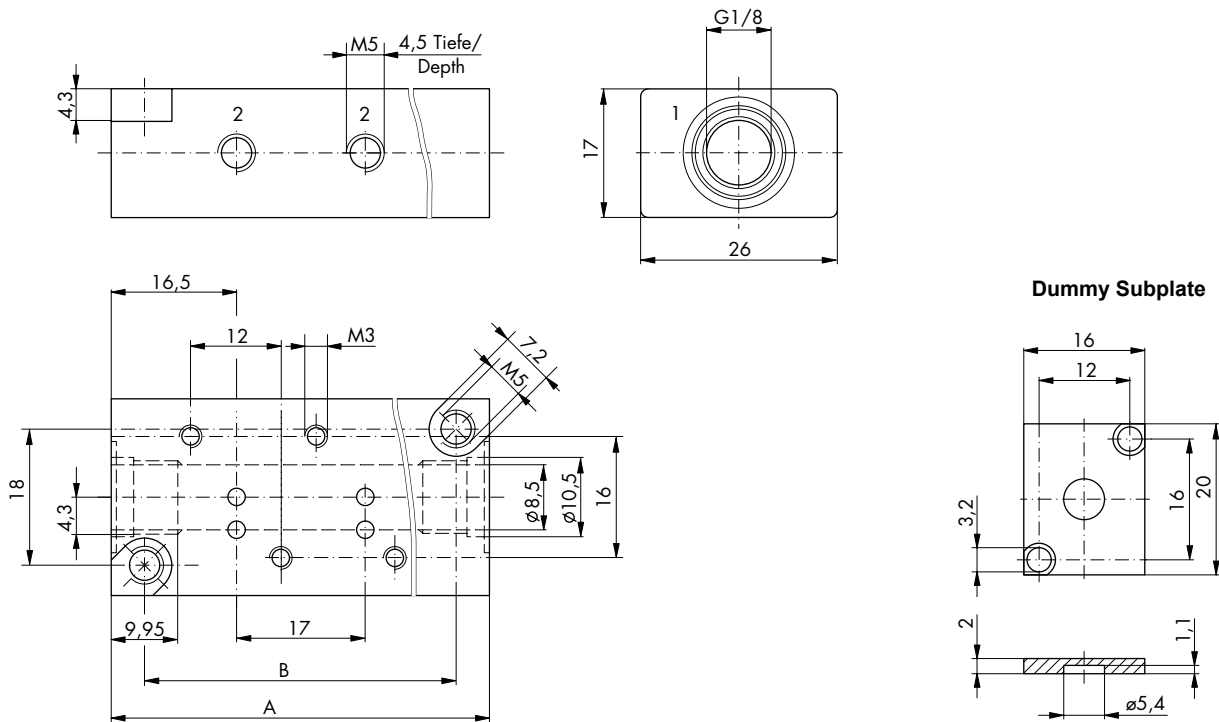
Manifolds & Subplates

64 Series Miniature Solenoid Valve Subplates

Minimum order quantities may apply.

Description	A	B	Order code
1 position manifold G1/8 inlet ports M5 outlet ports	33mm	25mm	64.225.01
2 position manifold G1/8 inlet ports M5 outlet ports	50mm	42mm	64.225.02
3 position manifold G1/8 inlet ports M5 outlet ports	67mm	59mm	64.225.03
4 position manifold G1/8 inlet ports M5 outlet ports	84mm	76mm	64.225.04
6 position manifold G1/8 inlet ports M5 outlet ports	118mm	110mm	64.225.06
8 position manifold G1/8 inlet ports M5 outlet ports	152mm	144mm	64.225.08
Dummy subplate for unused positions			64.130

Dimensional drawings



Impulse Automation Limited
United Kingdom
Company Registration 665193