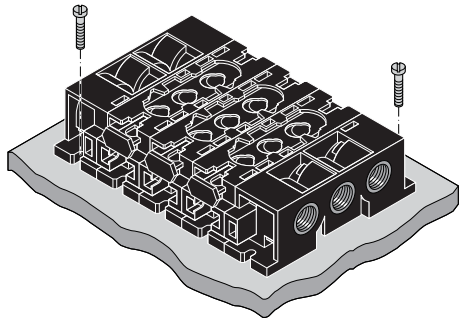


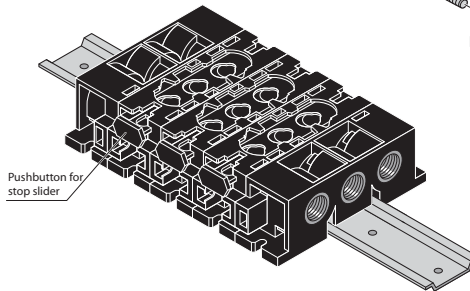
Manifolds & Subplates

Plastic Subplates

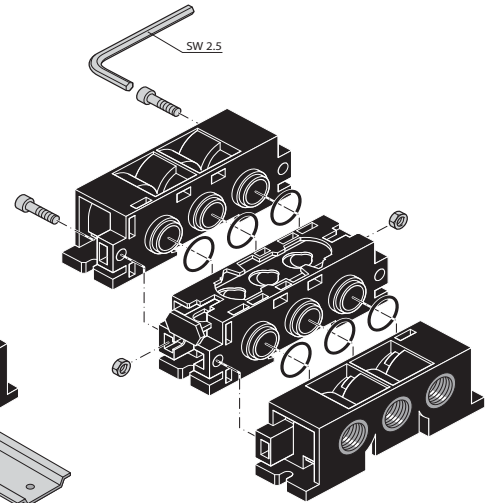
For use with 76.127/76.123 & 76.124 valves



Flat surface mounting

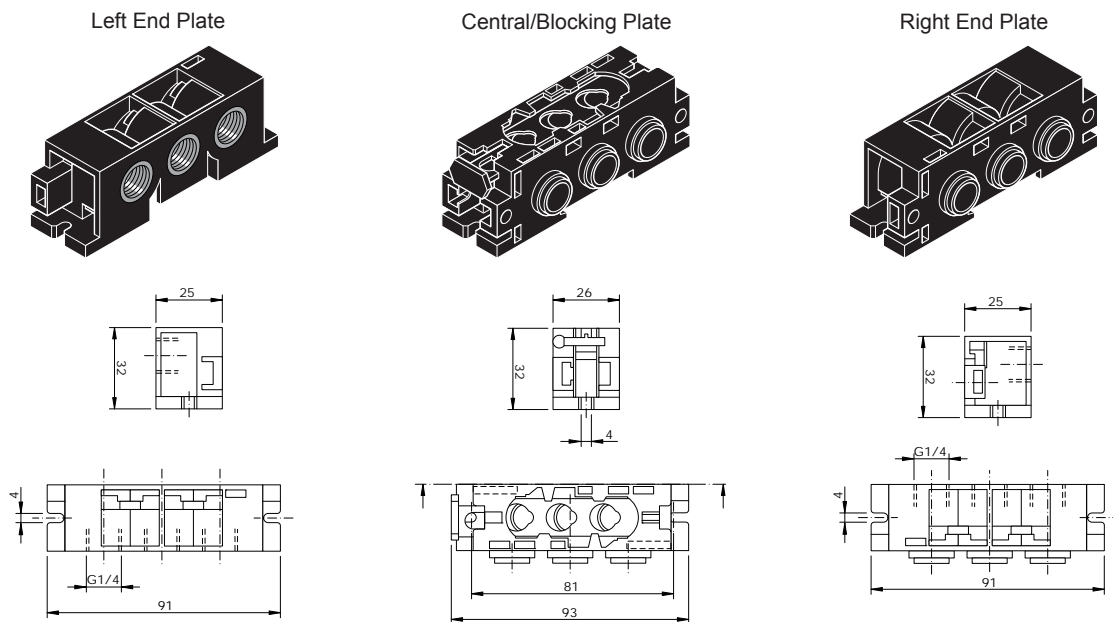


DIN rail mounting (35mm wide H type rail)



Description	Ports	Order code
Left end plate	G1/4	76.420.00.99
Right end plate, includes linking set	G1/4	76.420.00.98
Central plate for mounting valves, includes linking set	-	76.420.00.01
Intermediate blocking plate for differential pressures, includes linking set	-	76.420.00.05
Dummy Plug for unused subplates, one piece required per subplate section	-	76.420.00.06

Dimensional drawings



Impulse Automation Limited
United Kingdom
Company Registration 665193

Information shown in these data sheets are for guidance purposes only, no liability is accepted for any errors or omissions. The designer or user is solely responsible for the safe and proper use of these parts, assemblies or equipment described.