

## Type 633-DC



Type 633.0

## Time Counters mini "h", DC Version



Type 633.7



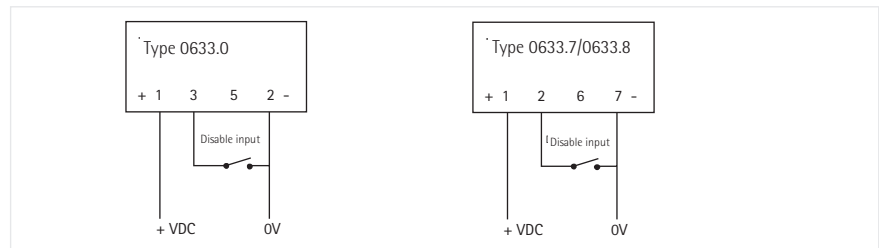
Type 633.8

- High shock resistance
- Miniature dimensions
- Low power consumption
- Electrical connections in standard grid
- Suitable for PCB mounting
- Machine-solderable and washable versions available
- Protection class IP 65

### TECHNICAL DATA

Display	7-digit, 0 ... 99 999.99 h
Digit height	4 mm, visual
Supply voltage Vop	acc. to order information, tolerance + 10 %
Power consumption	approx. 30 mW
Residual ripple	< 1 %
Operating temperature	- 10 ... + 60 °C
Storage temperature	- 40 ... + 70 °C
El. connection	versions .0 solder pins, .7 and .8 wiring posts Ø 0.6 mm
Mounting	versions .0 on PCB, .7 with wiring posts, .8 with catch spring
Mounting position	horizontal figure wheel shaft
Protection class (DIN 4050)	IP 66, versions .7 and .8 only at front, connections IP 00
Vibrostability	30 m/s <sup>2</sup> (10 - 500 Hz) acc. to IEC 068-2-6
Shock stability	> 3500 m/s <sup>2</sup> acc. to IEC 068-2-27
General design	acc. to DIN VDE 0700; insulation group C (VDE 0110), protection class II
Weight	approx. 10 g
Time error	with disable per switching cycle 0.488 ms
Reset	none

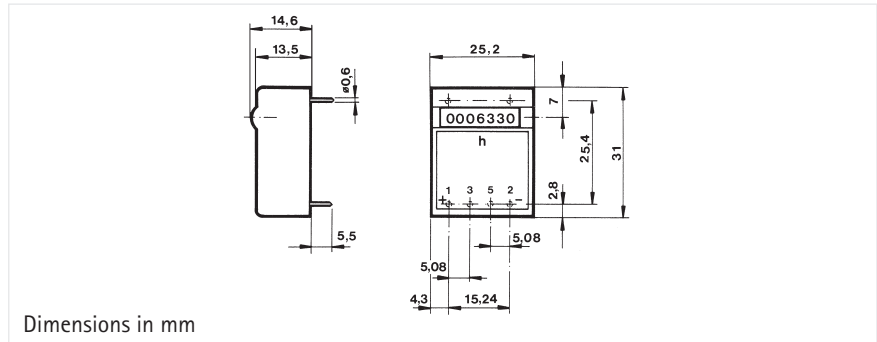
### CONNECTION DIAGRAM



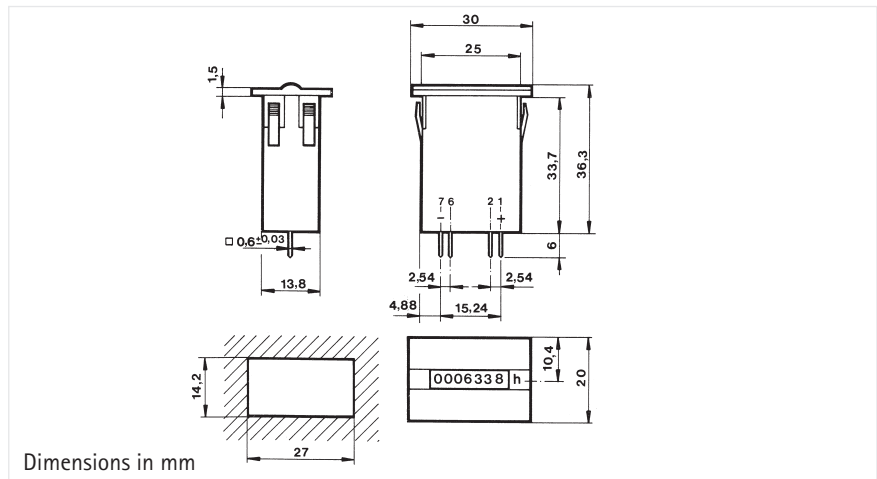
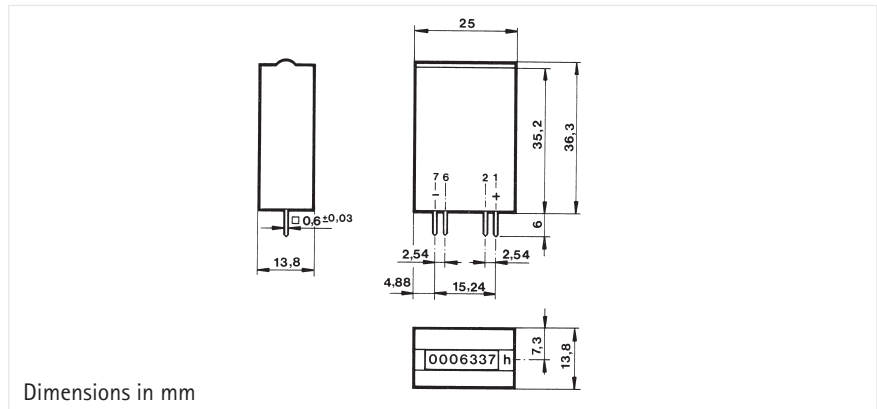
Activation: The counter is connected to 0 V and + VDC.  
 The counter is switched off by connecting Pin 2 with Pin 7 or Pin 3.

DIMENSIONS

Type 633.0



Typ 633.8



ORDER INFORMATION  
Counter

Voltage	Ohm	Current consumption during pulse	Type 633.0 Ord. code	Type 633.7 Ord. code	Type 633.8 Ord. code
5 VDC	140	35 mA	0 633 031	0 633 731	0 633 831
12 VDC	720	17 mA	0 633 032	0 633 732	0 633 832
24 VDC	1140	9 mA	0 633 033	0 633 733	0 633 833

Accessories

Flying lead 150 mm red	1 634 008	1 634 008
Flying lead 150 mm black	1 634 007	1 634 007