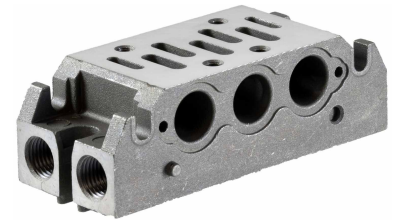


Manifolds & Subplates

ISO 1 & 2 Subplates

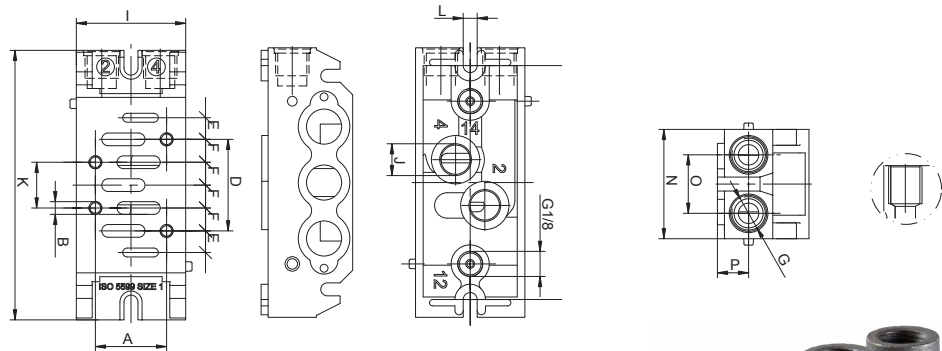
Modular Valve Subplates - For Multiple Assemblies



Description	Order code
ISO 1 subplate includes accessories (end plates required)	76.420.00.93
ISO 2 subplate includes accessories (end plates required)	76.420.00.14

Subplates	A	B	C	D	E	F	G	H	I	J	K
ISO 1	28	M5	4.5	36	8.5	9	G 1/4	92	43	G 1/4	106
ISO 2	38	M6	7	48	10	12	G 3/8	102	56	G 3/8	120

Dimensional drawings



End Plates

Description	Order code
ISO 1 end plate (two required per manifold) includes accessories	76.420.00.75
ISO 2 end plate (two required per manifold) includes accessories	76.420.00.85
ISO 1 separation module/closed endplate includes accessories	76.420.00.27
ISO 2 separation module/closed endplate includes accessories	76.420.00.28



End Plates	A	B	C
ISO 1	G 3/8	G 1/4	G 3/8
ISO 2	G 1/2	G 1/4	G 1/2

Multiple connection possibilities are available, each end plate is provided with blocked threaded ports, simply break through the respective port required.

Separation Modules	A	B	C	D	E	F
ISO 1	92	106	22	36	8	5.5
ISO 2	102	120	29	43	7	6.5

Separation modules do not have threaded ports, all ports are closed, they can also be used as a closed endplate.

Dimensional drawings

