

Pneumatic Timer - 56 Series

KUAX Pneumatic Clock Timer - Rotor Stop Version

Technical information

Pressure range:	0-10 bar
Control pressure:	Minimum 1.2 bar (Control port 12)
Temperature range:	-10°C...+60°C (Subject to moisture removal)
Mounting:	Panel mount, spring retaining clips provided
Time setting:	Via front dial knob, Inf nite throughout respective time range
Relative timing error:	+/- 1% of end scale value
Setting accuracy:	+/- 2%
Reset:	Automatic - by removal of pressure (Control port 12)
Reset time:	Approx. 200ms
Air consumption:	Approx. 9 l/min (6 bar connected to port 12) timing only
Operating medium:	5 micron filtered, non-lubricated compressed air

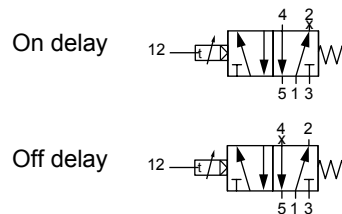


Other information

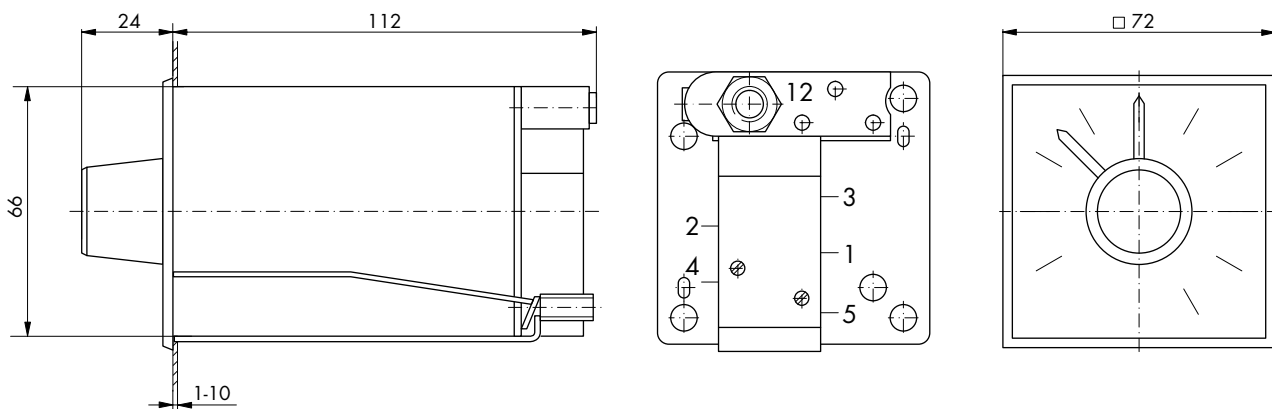
Unlike the standard clock face timer the rotor stop version only uses air while timing, this saves air energy between resets. See data sheet QY000 for the standard version.
 Aluminium brackets to surface mount the timer are available - part reference 54.534.
 Minimum order quantities may apply.

Description	Ports	Order code
0.3 to 10 minutes with 5/2 or 3/2 way ON or OFF delay timing	M5	56.R52.010
3 to 100 minutes with 5/2 or 3/2 way ON or OFF delay timing	M5	56.R53.100

Dimensional drawings



To set the pneumatic timer, move the red and black timer hands to the required time setting. When air is supplied to control port 12, the pneumatic timer will begin to time. The red timing hand shows the current elapsed time/time remaining and the black hand shows the original setpoint. Upon the red hand reaching zero the valve on the back of the timer switches, it remains switched until removal of air from port 12 at which point the valve returns to its spring condition, and the red hand returns to its last setpoint. Upon re-application of air to control port 12 the device will once again begin timing.



Impulse Automation Limited
United Kingdom
Company Registration 665193