

ATEX Pneumatic Timer - OFF Delay Timing

Pneumatic Mini Timer - Panel Mount Only

Technical information

Pressure range:	2-6 bar
Display type:	Digit roll
IP rating:	IP40 when connected, higher protection with covers (front only)
Panel cut out:	45 x 22.2mm
Temperature range:	0°C...+60°C
Medium Temperature:	Maximum 30°C (compressed air temperature)
Mounting:	Panel mount only, includes clip
Time setting:	Via front rotary knob
Reset:	Automatic - by removal of pressure port 12
Reset time:	200ms
Operating medium:	5 micron filtered clean dry, non-lubricated compressed air



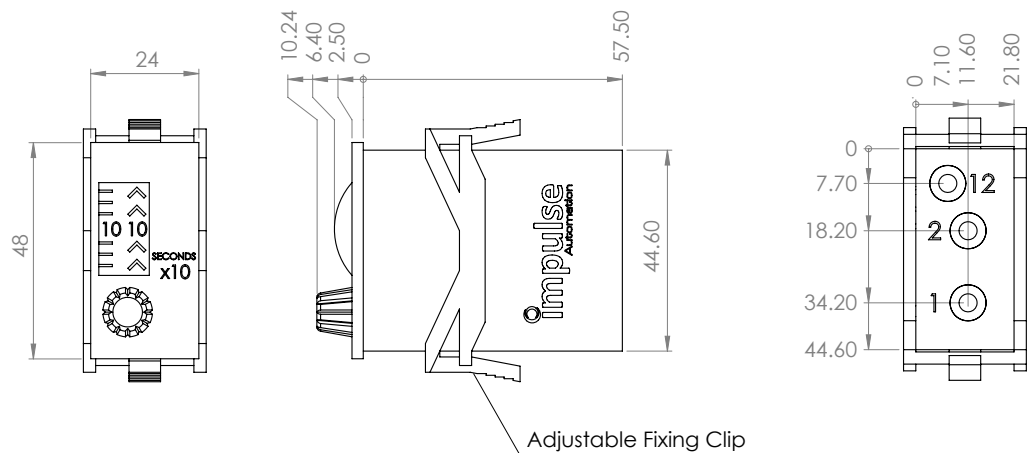
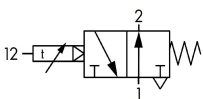
Description	Repeatability	Setting accuracy	Ports	Order code
2 to 30 seconds 3/2 way (OFF delay) normally open timing	+/- 0.3 s	+/- 0.6 s	M5	57.021.03.EX
20 to 300 seconds 3/2 way (OFF delay) normally open timing	+/- 3.0 s	+/- 6.0 s	M5	57.021.30.EX

Dimensional drawings

EX-CLASSIFICATION

Gas: Ex II 2G Ex h IIB T4 Gb (0°C ≤ Ta ≤ 60°C)
 Dust: Ex II 2D Ex h IIIB T120°C Db (0°C ≤ Ta ≤ 60°C)
 Mining: Ex I M2 Ex h I Mb (0°C < Ta < 60°C)

OFF delay timing



Accessories

IP65 transparent sealing covers (Size 1)

- Hinged cover with lock Order code: **1.405.612**
- Hinged cover with knob Order code: **1.405.611**

Panel frame (W) 60mm x (H) 75mm

Panel cutout 52mm x 52mm Order code: **1.499.512 ****

** Hinged covers are available for use with the 1.499.512 panel frame, size 2 only.
 Part reference **1.405.613** with knob or **1.405.614** with lock.



Impulse Automation Limited
 United Kingdom
 Company Registration 665193