

ATEX Pneumatic Totalising Counter

6 or 8 Digit Pneumatic Counter Panel Mounting

Technical information



- Pressure range:** 2 - 6 bar
- Temperature range:** 0°C...+60°C
- Medium Temperature:** Maximum 30°C (compressed air temperature)
- Mounting:** Panel mount only, cut out 52 x 26mm
- Mechanical life:** 30 x 10⁶
- Display:** 4mm digit height, 1 line of 6 or 8 digits
- Protection class:** IP40 when connected, higher protection with covers (front only)
- Count frequency:** 5Hz (Non-pulse period must drop to 0.15 bar for a minimum of 12ms)
- Count pulse length:** 8ms minimum
- Manual reset:** Front button reset (Version 57.670.EX only)
- Pneumatic reset:** Max 4Hz, pulse signal to port Y, min pulse length 180ms (Version 57.670.EX only)
- Operating medium:** 5 micron filtered, dried and non-lubricated compressed air

Description	Ports	Order code
6 digit adding totalising counter	M5	57.670.EX
8 digit adding totalising counter non-resettable (No front reset button or pneumatic reset port Y)	M5	57.655.EX

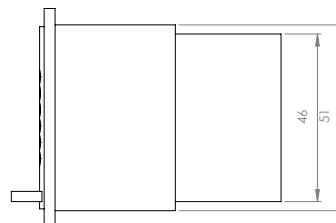
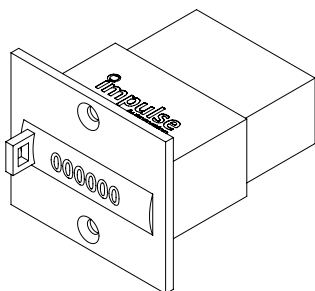
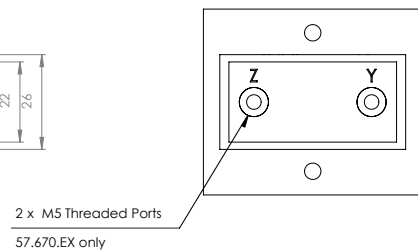
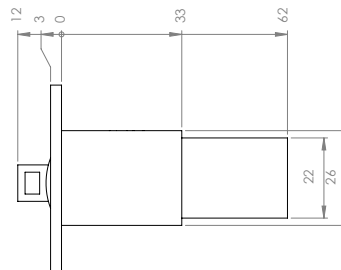
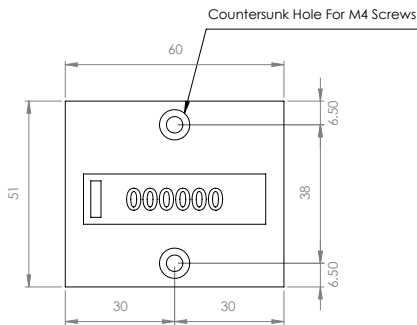
Dimensional drawings

EX-CLASSIFICATION

- Gas: Ex II 2G Ex h IIB T4 Gb (0°C ≤ Ta ≤ 60°C)
- Dust: Ex II 2D Ex h IIIB T120°C Db (0°C ≤ Ta ≤ 60°C)
- Mining: Ex I M2 Ex h I Mb (0°C ≤ Ta ≤ 60°C)

Note:

A minimum time period between the last count pulse and the pneumatic reset is 50ms. Version 57.670.EX only.



Impulse Automation Limited
 United Kingdom
 Company Registration 665193