

# ATEX Pneumatic Totalising Counter

## 6 Digit Pneumatic Counter Surface Mounting

### Technical information



<b>Pressure range:</b>	2 - 6 bar
<b>Temperature range:</b>	0°C...+60°C
<b>Medium Temperature:</b>	Maximum 30°C (compressed air temperature)
<b>Mounting:</b>	Surface mount only
<b>Mechanical life:</b>	30 x 10 <sup>6</sup>
<b>Display:</b>	4mm digit height, 1 line of 6 digits
<b>Protection class:</b>	IP40 when connected
<b>Count frequency:</b>	5Hz (Non-pulse period must drop to 0.15 bar for a minimum of 12ms)
<b>Count pulse length:</b>	8ms minimum
<b>Manual reset:</b>	Top button reset
<b>Pneumatic reset:</b>	Max 4Hz, pulse signal to port Y, min pulse length 180ms
<b>Operating medium:</b>	5 micron filtered, dried and non-lubricated compressed air

Description	Ports	Order code
6 digit adding totalising counter	M5	57.660.EX

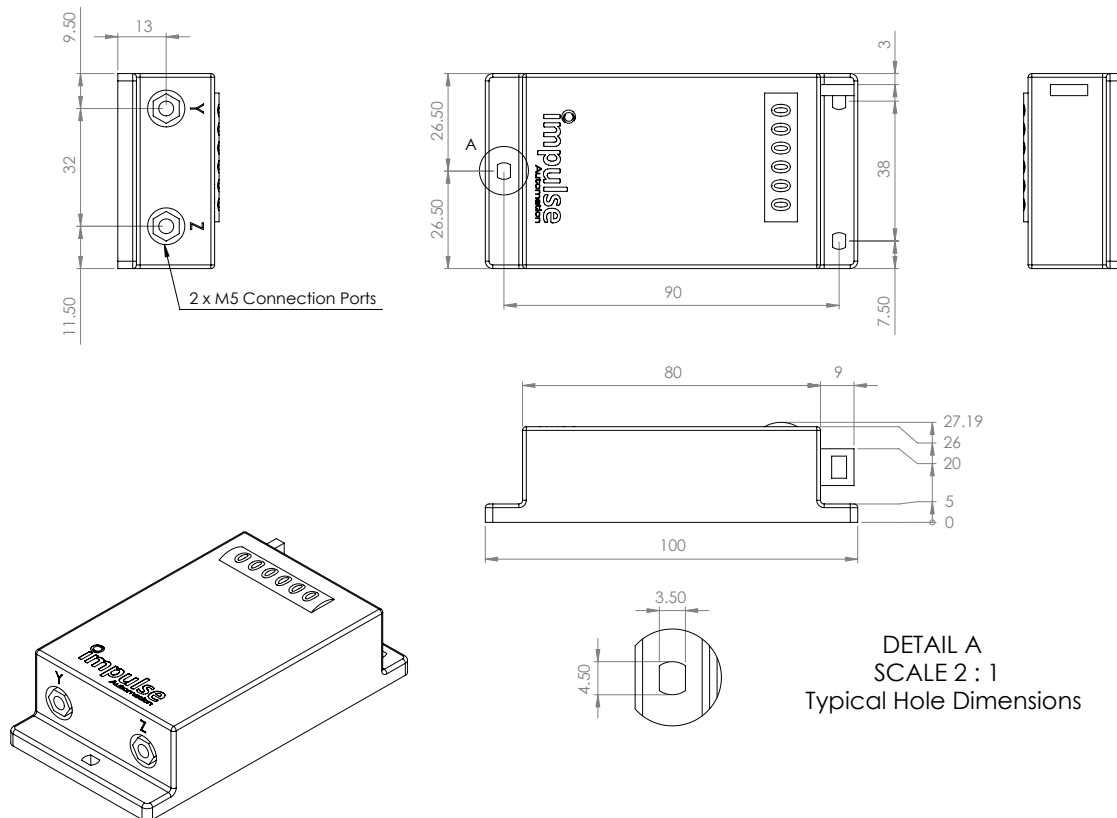
### Dimensional drawings

EX-CLASSIFICATION

Gas: Ex II 2G Ex h IIB T4 Gb (0°C ≤ Ta ≤ 60°C)  
 Dust: Ex II 2D Ex h IIIB T120°C Db (0°C ≤ Ta ≤ 60°C)  
 Mining: Ex I M2 Ex h I Mb (0°C ≤ Ta ≤ 60°C)

**Note:**

A minimum time period between the last count pulse and the pneumatic reset is 50ms.



Impulse Automation Limited  
 United Kingdom  
 Company Registration 665193