

Pneumatic Visual Indicator

Lens Type Indication - Panel Mounting

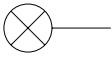
Technical information

Pressure range: 20 to 120 PSI
Temperature range: 35°F... 150°F
Materials: Acrylic lens, acetal & ABS housing, buna N & silicone seals.
Operating medium: 5 micron filtered non-lubricated compressed air.



Other information

Lens and ball indication, designed for indirect 180° viewing.
 For full dimensional drawings see document EK0006.

Symbol	Description	Ports	Colour	Order code
	Visual indication of air pressure	10-32	See options	AL19-XXX
	Visual indication of air pressure	1/8 NPT	See options	AL15-XXX

Dimensional drawings

Spare parts:

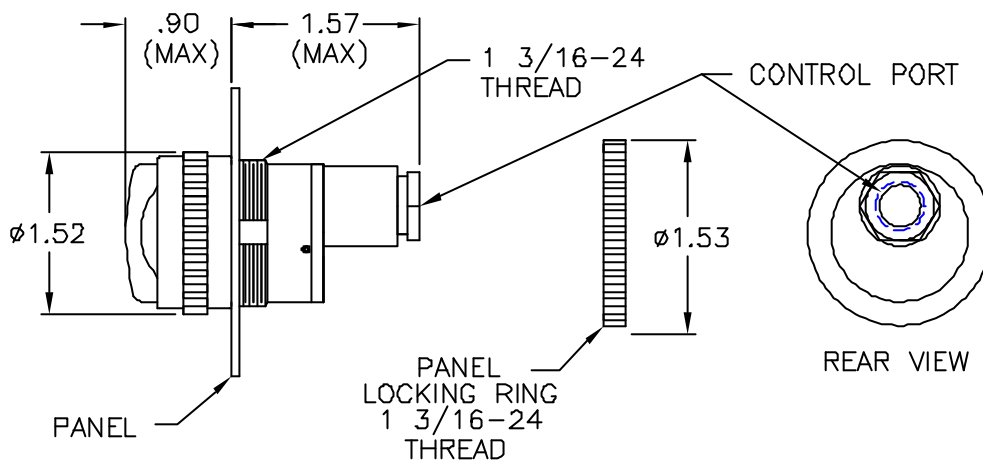
Lens 3028
 Mounting nut 1074
 Sphere AL-XXX
Insert colour code

Indicator colour options:

Red to Green	ALXX-RG
Green to Black	ALXX-GBK
Red to Black	ALXX-RBK
Yellow to Black	ALXX-YBK
Amber to Black	ALXX-ABK
Amber to Green	ALXX-AG
Black to white	ALXX-BKW
Green to White	ALXX-GW

Other combinations are available, for example green to red use code ALXX-GR.

Panel drilling: 1 3/16" diameter



Impulse Automation Limited
United Kingdom
Company Registration 665193