

# Pneumatic Totalising Counter

## 8 Digit Counter PM18 Series Panel Mounting

### Technical information

<b>Pressure range:</b>	25 to 100 PSI
<b>Temperature range:</b>	32°F...+140°F
<b>Mounting:</b>	Screw attachment panel mount only
<b>Display:</b>	0.16" (4mm) digit height
<b>Count frequency:</b>	10Hz see note below
<b>Count pulse length:</b>	8ms minimum
<b>Manual reset:</b>	No front button reset
<b>Pneumatic reset:</b>	No pneumatic reset
<b>Operating medium:</b>	5 micron filtered, do not lubricate



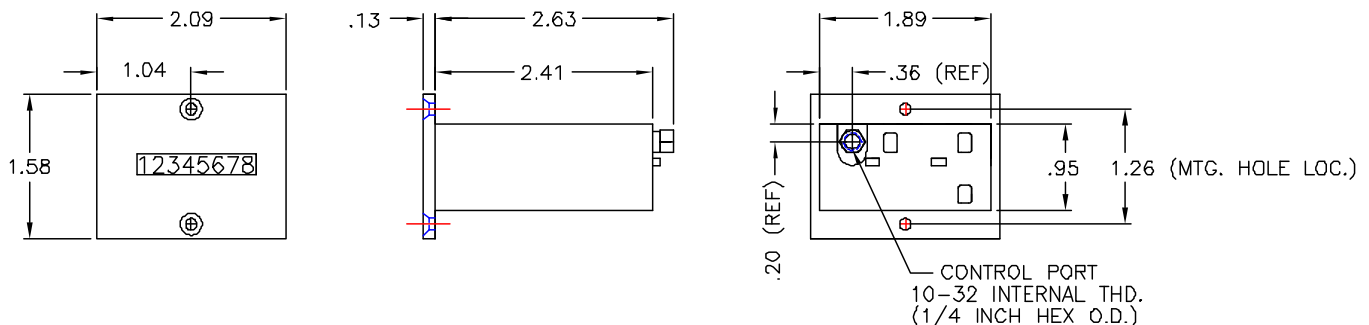
### Other information

See data sheet EK0017 for full dimensional drawings including cut out dimensions

Description	Ports	Order code
8 digit adding totalising counter	10-32	PM18-10

### Dimensional drawings

Pneumatic totalising counters display a total count of pneumatic pulses. This version is non-resettable for lifetime monitoring applications.



### Note:

The non-pulse period must drop to 4.4 PSI for a minimum of 10ms.

**Impulse Automation Limited**  
**United Kingdom**  
**Company Registration 665193**