

# Logic Valves & Flow Control

## Pneumatic Ball Shut-Off Valve

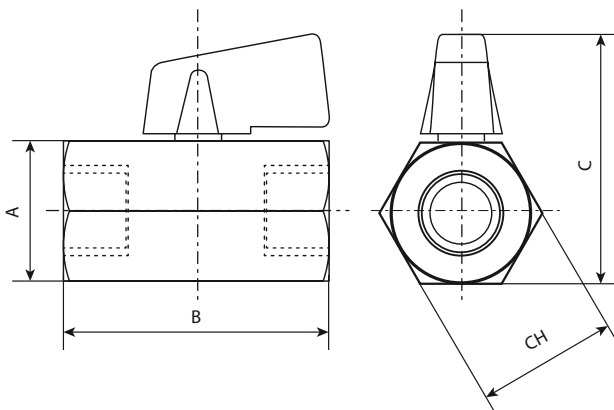
### Technical information

**Pressure range:** 0 - 10 bar  
**Temperature range:** -25°C...+90°C  
**Materials:** Nickel plated brass  
**Seals:** NBR  
**Operating medium:** 5 micron filtered, lubricated or non-lubricated compressed air.



Description	Ports	Order code
Ball valve - Miniature type	G1/8	<b>VMB08</b>
Ball valve - Miniature type	G1/4	<b>VMB04</b>
Ball valve - Miniature type	G3/8	<b>VMB03</b>
Ball valve - Miniature type	G1/2	<b>VMB02</b>

### Dimensional drawings



A	B	C	CH
1/8	39	38	21
1/4	40	38	21
3/8	42	38	21
1/2	48	42	25

**Impulse Automation Limited**  
**United Kingdom**  
**Company Registration 665193**