

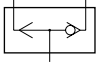
# Logic Valves & Flow Control

## Pneumatic OR Logic Valve

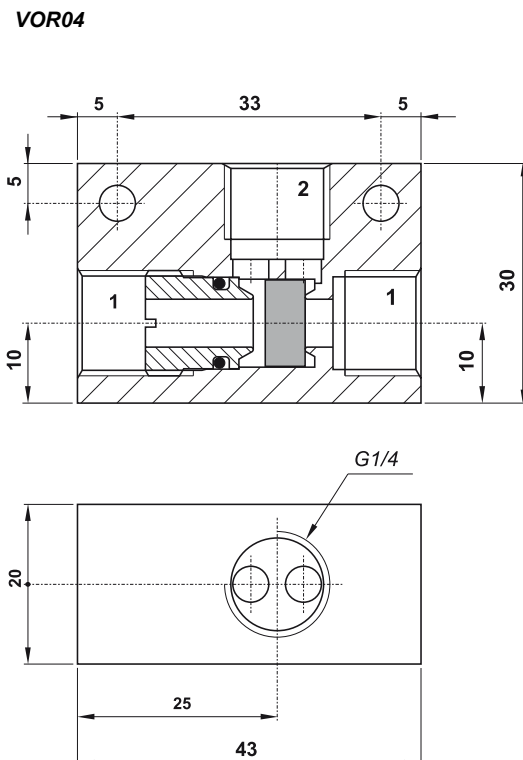
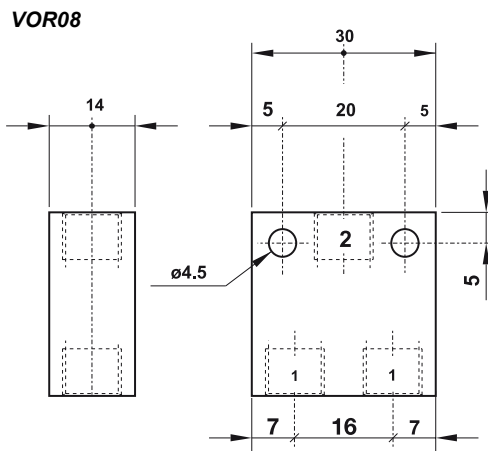
### Technical information

**Pressure range:** 2 - 8 bar  
**Temperature range:** -10°C...+60°C  
**Materials:** Anodised aluminium  
**Seals:** NBR  
**Pressure connection:** G1/8, G1/4  
**Operating medium:** 5 micron filtered, lubricated or non-lubricated compressed air.



Symbol	Description	Ports	Order code
	OR unit shuttle/double check valve	G1/8	<b>VOR08</b>
	OR unit shuttle/double check valve	G1/4	<b>VOR04</b>

### Dimensional drawings



**Impulse Automation Limited**  
 United Kingdom  
 Company Registration 665193