

Compact Pneumatic Cylinder

Double Acting Ø 12mm - 25mm


Technical information

(Female Threaded Rod)



Operating pressure: Max. 10 bar
Temperature range: -20°C...+80°C
Housing/end caps: Aluminium tube/die-cast aluminium.
Rod: Stainless steel.
Seals: PUR
Lubricant: Not required.
Operating medium: 5 micron filtered, lubricated or non-lubricated compressed air.

Other information:

 For ATEX certification use code "X" for example 19.X.704.XXX
Sensors are available for this product, see data sheets TX1000/TX1001.
Mountings are available for this product, see data sheets MS1000/MS1002/MS1003.

Piston dia. mm	Stroke mm	D	D1	D2	D3	E1	F	F1	H	H1	H2	L	L1	L2	SW	T	Pe min./ bar
12	5 - 200	6	3,5	M4	M3	M5	8	30	38	42,5	18,5	29	18	30	5	6	1
16	5 - 200	8	3,5	M4	M4	M5	8	30	38	42,5	18,5	29	18	30	7	8	1
20	5 - 200	10	4,5	M5	M5	M5	8	30	38	42,5	18,5	36	22	37,5	8	10	1
25	5 - 200	10	4,5	M5	M5	M5	8	31,5	39,5	45	18,5	40	26	41,5	8	10	1

Dimensional drawings & ordering information

Minimum/maximum strokes apply, see table.

To order: 19.704.XXX 12mm bore + stroke (Magnetic)
19.804.XXX 16mm bore + stroke (Magnetic)
19.904.XXX 20mm bore + stroke (Magnetic)
19.004.XXX 25mm bore + stroke (Magnetic)

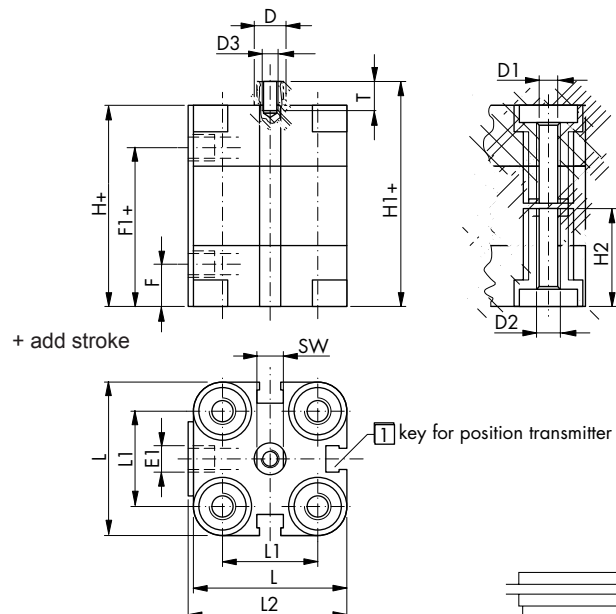
Non-magnetic versions are also available for example 19.X06.XXX

Seal kits (without magnet).

Order code: 19.708.11 12mm bore
Order code: 19.808.11 16mm bore
Order code: 19.908.11 20mm bore
Order code: 19.008.11 25mm bore

Technical Data:

Piston dia. mm	Forward force 6 bar	
	$N_{max.}$	$N_{max.}$
12	68	51
16	121	91
20	188	140
25	295	247



Impulse Automation Limited
United Kingdom
Company Registration 665193