

Compact Pneumatic Cylinder

Double Acting Ø 32mm - 100mm

Technical information (Female Threaded Rod)

Operating Pressure: Max. 10 bar
Temperature range: -20°C...+80°C
Housing/end caps: Aluminium tube/die-cast aluminium.
Rod: Stainless steel.
Seals: PUR
Lubricant: Not required.
Operating medium: 5 micron filtered, lubricated or non-lubricated compressed air.



Other information:

Ex For ATEX certification use code "X" for example 19.X.104.XXX
 Sensors are available for this product, see data sheets TX1000/TX1001.
 Mountings are available for this product, see data sheets MS1001/MS1002/MS1003.

Piston dia. mm	Stroke mm	D	D1	D2	D3	E1	F	F1	H	H1	H2	L	L1	L2	SW	T	Pe min./bar
32	5 - 300	12	5,5	M6	M6	G1/8	8	36,5	44,5	50,5	21,5	50	32	52	10	12	0,6
40	5 - 300	12	5,5	M6	M6	G1/8	8	37,5	45,5	52	21,5	60	42	62,5	10	12	0,6
50	10 - 300	16	6,5	M8	M8	G1/8	8	37,5	45,5	53	22	68	50	71	13	12	0,6
63	10 - 300	16	8,5	M10	M8	G1/8	8	42	50	57,5	24,5	87	62	91	13	12	0,6
80	10 - 400	20	8,5	M10	M10	G1/8	8,5	47,5	56	64	27,5	107	82	111	17	16	0,6
100	10 - 400	25	8,5	M10	M12	G1/4	10,5	56	66,5	76,5	32,5	128	103	133	22	20	0,6

Dimensional drawings & ordering information

Minimum/maximum strokes apply, see table.

To order: **19.104.XXX** 32mm bore + stroke (Magnetic)
19.204.XXX 40mm bore + stroke (Magnetic)
19.304.XXX 50mm bore + stroke (Magnetic)
19.404.XXX 63mm bore + stroke (Magnetic)
19.504.XXX 80mm bore + stroke (Magnetic)
19.604.XXX 100mm bore + stroke (Magnetic)

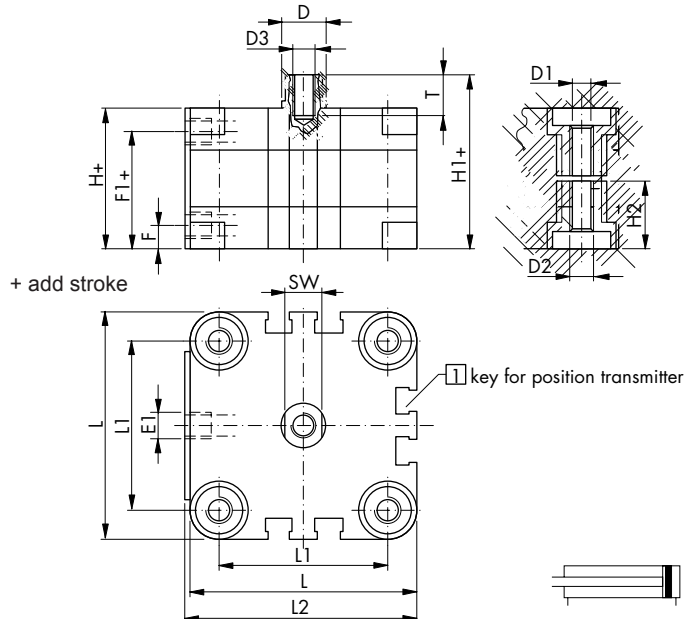
Non-magnetic versions are also available for example 19.X06.XXX

Seal kits (without magnet).

Order code: **19.108.11** 32mm bore
 Order code: **19.208.11** 40mm bore
 Order code: **19.308.11** 50mm bore
 Order code: **19.408.11** 63mm bore
 Order code: **19.508.11** 80mm bore
 Order code: **19.608.11** 100mm bore

Technical Data:

Piston dia. mm	Forward force	
	6 bar N _{max.}	6 bar N _{max.}
32	483	415
40	754	686
50	1178	1057
63	1870	1749
80	3016	2828
100	4712	4418



Impulse Automation Limited
 United Kingdom
 Company Registration 665193