

Compact Pneumatic Cylinder

Double Acting Ø 32mm - 100mm


Technical information

(Male Threaded Rod)



Operating Pressure: Max. 10 bar
Temperature range: -20°C...+80°C
Housing/end caps: Aluminium tube/die-cast aluminium.
Rod: Stainless steel.
Seals: PUR
Lubricant: Not required.
Operating medium: 5 micron filtered, lubricated or non-lubricated compressed air.

Other information:

 For ATEX certification use code "X" for example 19.X.194.XXX
 Sensors are available for this product, see data sheets TX1000/TX1001.
 Mountings are available for this product, see data sheets MS1001/MS1002/MS1003/MS1004.

Piston dia. mm	Stroke mm	AM	KK	AM	D1	D2	E1	F	F1	H	H1	H2	L	L1	L2	SW	Pe min./ bar
32	5 - 300	22	M10x1,25	22	5,5	M6	G1/8	8	36,5	44,5	50,5	21,5	50	32	52	10	0,6
40	5 - 300	22	M10x1,25	22	5,5	M6	G1/8	8	37,5	45,5	52	21,5	60	42	62,5	10	0,6
50	10 - 400	24	M12x1,25	24	6,5	M8	G1/8	8	37,5	45,5	53	22	68	50	71	13	0,6
63	10 - 400	24	M12x1,25	24	8,5	M10	G1/8	8	42	50	57,5	24,5	87	62	91	13	0,6
80	10 - 400	32	M16x1,5	32	8,5	M10	G1/8	8,5	47,5	56	64	27,5	107	82	111	17	0,6
100	10 - 400	40	M20x1,5	40	8,5	M10	G1/4	10,5	56	66,5	76,5	32,5	128	103	133	22	0,6

Dimensional drawings & ordering information

Minimum/maximum strokes apply, see table.

To order: **19.194.XXX** 32mm bore + stroke (Magnetic)
19.294.XXX 40mm bore + stroke (Magnetic)
19.394.XXX 50mm bore + stroke (Magnetic)
19.494.XXX 63mm bore + stroke (Magnetic)
19.594.XXX 80mm bore + stroke (Magnetic)
19.694.XXX 100mm bore + stroke (Magnetic)

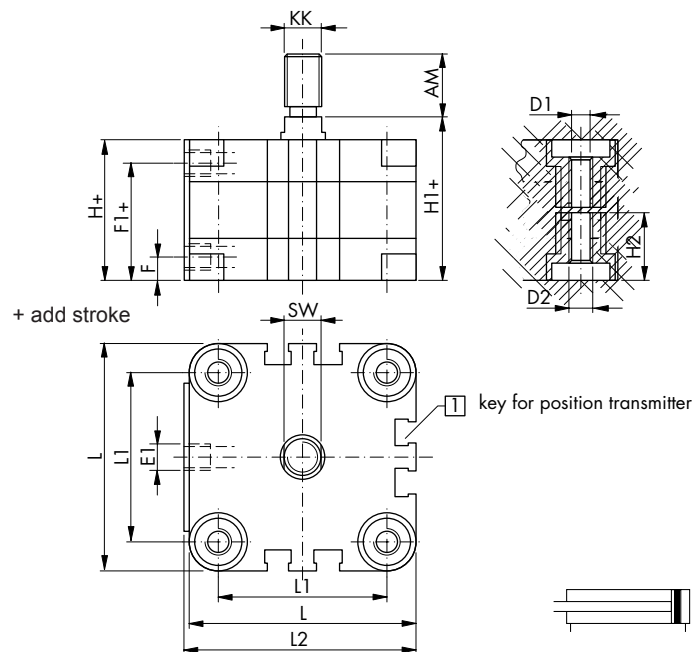
Non-magnetic versions are also available for example 19.X96.XXX

Seal kits (without magnet).

Order code: **19.108.11** 32mm bore
 Order code: **19.208.11** 40mm bore
 Order code: **19.308.11** 50mm bore
 Order code: **19.408.11** 63mm bore
 Order code: **19.508.11** 80mm bore
 Order code: **19.608.11** 100mm bore

Technical Data:

Piston dia. mm	Forward force 6 bar	
	$N_{max.}$	$N_{max.}$
32	483	415
40	754	686
50	1178	1057
63	1870	1749
80	3016	2828
100	4712	4418



Impulse Automation Limited
 United Kingdom
 Company Registration 665193