

Compact Pneumatic Cylinder

Double Acting Ø 12mm - 25mm

Technical information (Guided Rod)

Operating pressure: Max. 10 bar
Temperature range: -20°C...+80°C
Housing/end caps: Aluminium tube/die-cast aluminium.
Rod: Stainless steel.
Seals: PUR
Lubricant: Not required.
Operating medium: 5 micron filtered, lubricated or non-lubricated compressed air.



Other information:



For ATEX certification use code "X" for example 19.X.744.XXX
 Sensors are available for this product, see data sheets TX1000/TX1001.
 Mountings are available for this product, see data sheet MS1000.

Piston dia. mm	Stroke mm	D	D1	D2	D4	D5	E1	F	F1	H	H1	H2	H3	L	L1	L2	L3	SW	Pe min./ bar
12	5 - 200	6	3,5	M4	3	M3	M5	8	30	38	42,5	18,5	48,5	29	18	30	9,9	5	1,5
16	5 - 200	8	3,5	M4	3	M3	M5	8	30	38	42,5	18,5	48,5	29	18	30	9,9	7	1,5
20	5 - 200	10	4,5	M5	4	M4	M5	8	30	38	42,5	18,5	50,5	36	22	37,5	12	8	1,5
25	5 - 200	10	4,5	M5	5	M5	M5	8	31,5	39,5	45	18,5	53	40	26	41,5	15,8	8	1,5

Dimensional drawings & ordering information

Minimum/maximum strokes apply, see table.

To order: 19.744.XXX 12mm bore + stroke (Magnetic)
 19.844.XXX 16mm bore + stroke (Magnetic)
 19.944.XXX 20mm bore + stroke (Magnetic)
 19.044.XXX 25mm bore + stroke (Magnetic)

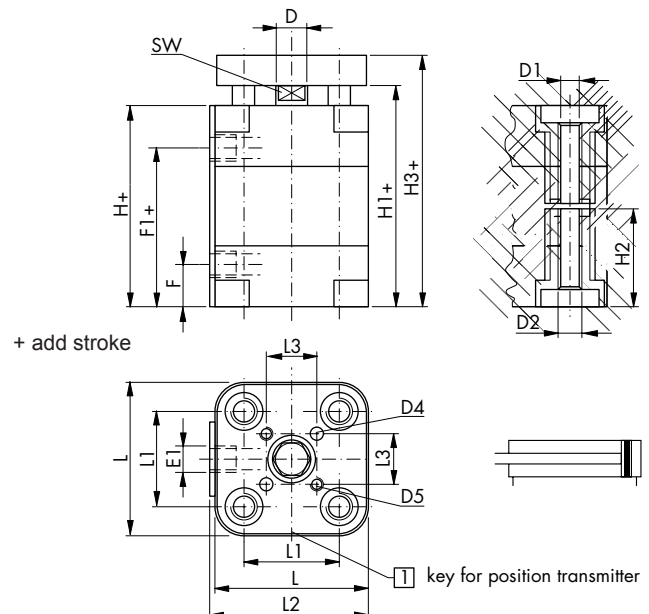
Non-magnetic versions are also available for example 19.X46.XXX

Seal kits (without magnet).

Order code: 19.708.11 12mm bore
 Order code: 19.808.11 16mm bore
 Order code: 19.908.11 20mm bore
 Order code: 19.008.11 25mm bore

Technical Data:

Piston dia. mm	Forward force	Return force
	6 bar N _{max.}	6 bar N _{max.}
12	68	51
16	121	91
20	188	140
25	295	247



Impulse Automation Limited
 United Kingdom
 Company Registration 665193