

# Compact Pneumatic Cylinder


## Single Acting Ø 12mm - 25mm

### Technical information (Male Threaded Rod)

**Operating pressure:** Max. 10 bar  
**Temperature range:** -20°C...+80°C  
**Housing/end caps:** Aluminium tube/die-cast aluminium.  
**Rod:** Stainless steel.  
**Seals:** PUR  
**Lubricant:** Not required.  
**Operating medium:** 5 micron filtered, lubricated or non-lubricated compressed air.



### Other information:

 For ATEX certification use code "X" for example 19.X.795.XXX  
 Sensors are available for this product, see data sheets TX1000/TX1001.  
 Mountings are available for this product, see data sheets MS1000/MS1002/MS1003/MS1004.

Piston dia. mm	Stroke mm	AM	KK	AM	D1	D2	E1	F	F1	H	H1	H2	L	L1	L2	SW	Pe min./ bar
12	5 - 10	16	M6	16	3,5	M4	M5	8	30	38	42,5	18,5	29	18	30	5	1,2
16	5 - 25	20	M8	20	3,5	M4	M5	8	30	38	42,5	18,5	29	18	30	7	1,2
20	5 - 25	22	M10x1,25	22	4,5	M5	M5	8	30	38	42,5	18,5	36	22	37,5	8	1
25	5 - 25	22	M10x1,25	22	4,5	M5	M5	8	31,5	39,5	45	18,5	40	26	41,5	8	1

### Dimensional drawings & ordering information

Minimum/maximum strokes apply, see table.

**To order:** 19.795.XXX 12mm bore + stroke (Magnetic)  
 19.895.XXX 16mm bore + stroke (Magnetic)  
 19.995.XXX 20mm bore + stroke (Magnetic)  
 19.095.XXX 25mm bore + stroke (Magnetic)

Non-magnetic versions are also available for example 19.X97.XXX

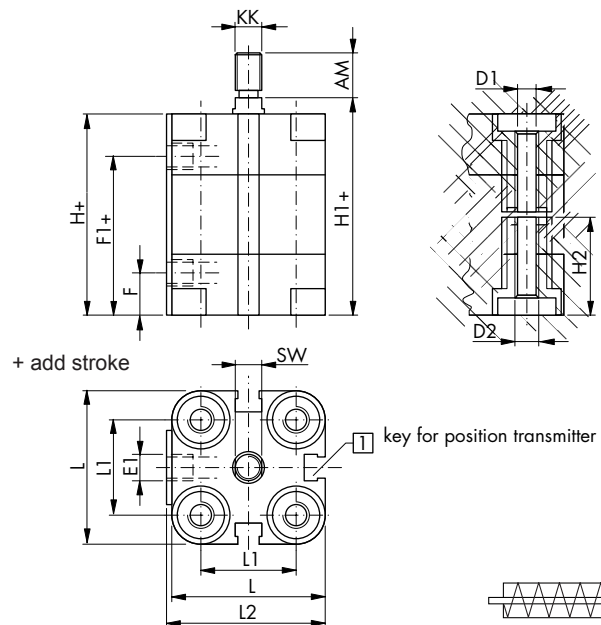
### Seal kits (without magnet).

Order code: 19.708.11 12mm bore  
 Order code: 19.808.11 16mm bore  
 Order code: 19.908.11 20mm bore  
 Order code: 19.008.11 25mm bore

### Technical Data:

Piston dia. mm	Forward force N <sub>max.</sub> / 6 bar	Return force spring N <sub>max.</sub>
12	63	5
16	114	6
20	183	6
25	279	15

Spring extend versions are also available,  
for example 19.X7X.XXX  
(Minimum order quantities may apply).



**Impulse Automation Limited**  
**United Kingdom**  
**Company Registration 665193**