

Compact Pneumatic Cylinder


Single Acting Ø 32mm - 100mm

Technical information (Female Threaded Rod)

Operating Pressure: Max. 10 bar
Temperature range: -20°C...+80°C
Housing/end caps: Aluminium tube/die-cast aluminium.
Rod: Stainless steel.
Seals: PUR
Lubricant: Not required.
Operating medium: 5 micron filtered, lubricated or non-lubricated compressed air.



Other information:

 For ATEX certification use code "X" for example 19.X.105.XXX
 Sensors are available for this product, see data sheets TX1000/TX1001.
 Mountings are available for this product, see data sheets MS1001/MS1002/MS1003.

Piston dia. mm	Hub Stroke mm	D	D1	D2	D3	E1	F	F1	H	H1	H2	L	L1	L2	SW	T	Pe min./bar
32	5 - 25	12	5,5	M6	M6	G1/8	8	36,5	44,5	50,5	21,5	50	32	52	10	12	0,6
40	5 - 25	12	5,5	M6	M6	G1/8	8	37,5	45,5	52	21,5	60	42	62,5	10	12	0,6
50	10 - 25	16	6,5	M8	M8	G1/8	8	37,5	45,5	53	22	68	50	71	13	12	0,6
63	10 - 25	16	8,5	M10	M8	G1/8	8	42	50	57,5	24,5	87	62	91	13	12	0,6
80	10 - 25	20	8,5	M10	M10	G1/8	8,5	47,5	56	64	27,5	107	82	111	17	16	0,6
100	10 - 25	25	8,5	M10	M12	G1/4	10,5	56	66,5	76,5	32,5	128	103	133	22	20	0,6

Dimensional drawings & ordering information

Minimum/maximum strokes apply, see table.

To order: 19.105.XXX 32mm bore + stroke (Magnetic)
 19.205.XXX 40mm bore + stroke (Magnetic)
 19.305.XXX 50mm bore + stroke (Magnetic)
 19.405.XXX 63mm bore + stroke (Magnetic)
 19.505.XXX 80mm bore + stroke (Magnetic)
 19.605.XXX 100mm bore + stroke (Magnetic)

Non-magnetic versions are also available for example 19.X07.XXX

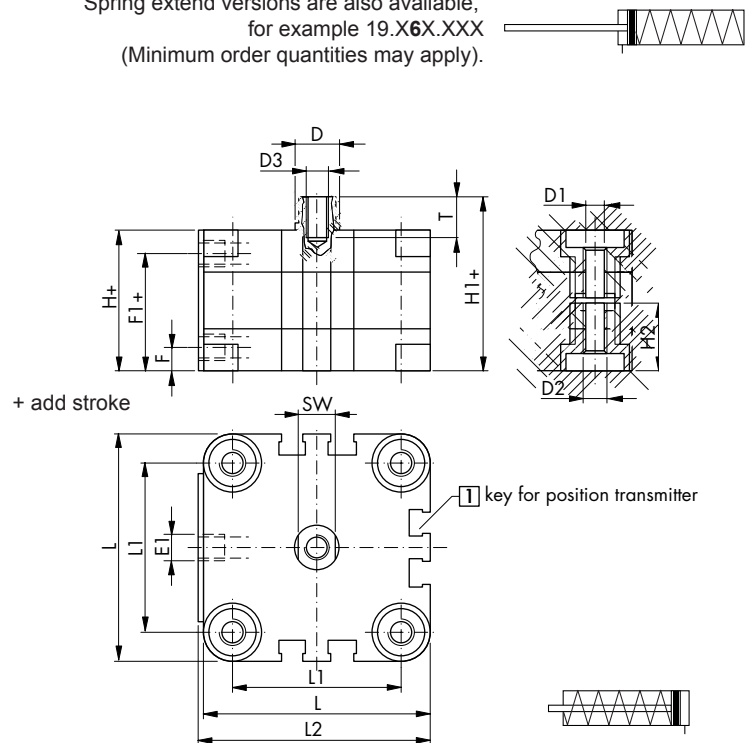
Seal kits (without magnet).

Order code: 19.108.11 32mm bore
 Order code: 19.208.11 40mm bore
 Order code: 19.308.11 50mm bore
 Order code: 19.408.11 63mm bore
 Order code: 19.508.11 80mm bore
 Order code: 19.608.11 100mm bore

Technical Data:

Piston dia. mm	Forward force N _{max.} / 6 bar	Return force spring N _{max.}
32	464	18
40	738	16
50	1140	37
63	1820	48
80	2933	81
100	4570	140

Spring extend versions are also available, for example 19.X6X.XXX (Minimum order quantities may apply).



Impulse Automation Limited
 United Kingdom
 Company Registration 665193