

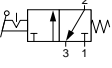
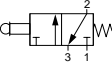
Miniature Pneumatic Valves

Kuhnke 46 Series Valve - Lever & Roller Ball

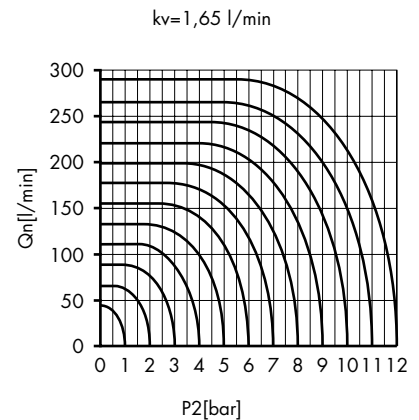
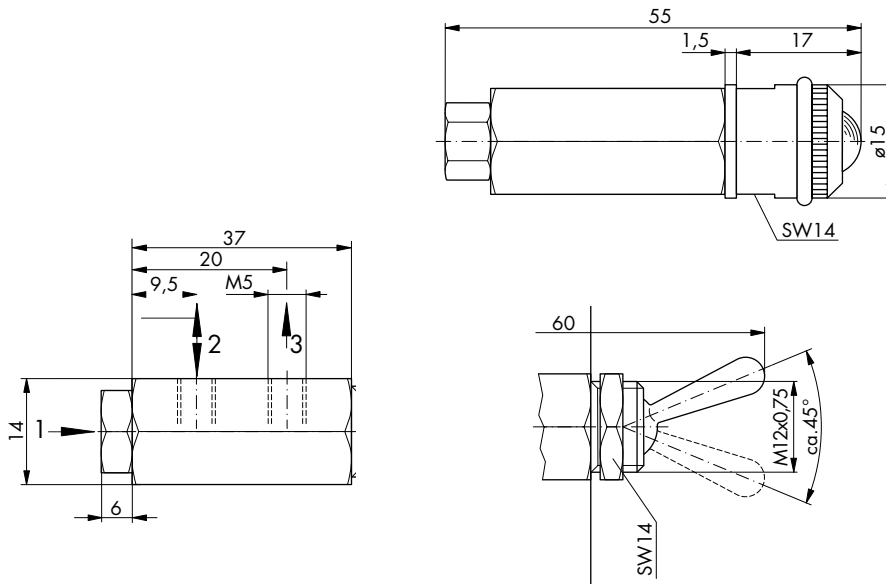


Technical information

Actuation force @ 6 bar: Approx. 13N
Actuation stroke: Approx. 2 mm
Pressure range: 0-12 bar
Temperature range: -10°C...+70°C
Housing: Brass
Seals: Perbunan
Lubricant: Not required
Operating medium: 5 micron filtered, lubricated or non-lubricated compressed air

Symbol	Description	Type	Orifice	Ports	Order code
	3/2 way toggle lever detented normally closed	Poppet	2mm	M5	46.001
	3/2 way roller ball spring return normally closed	Poppet	2mm	M5	46.005

Dimensional drawings



Impulse Automation Limited
United Kingdom
Company Registration 665193