

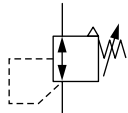
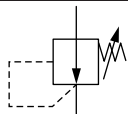
Kuhnke Pneumatic Regulator

Kuhnke 48.200 Series Air Regulator Side Mounting

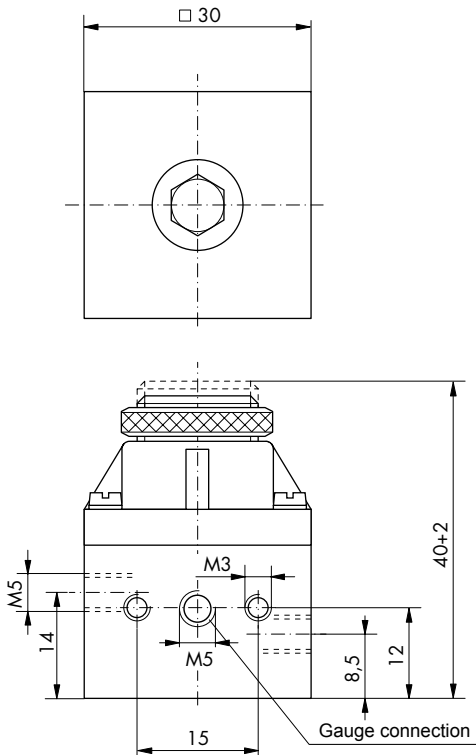


Technical information

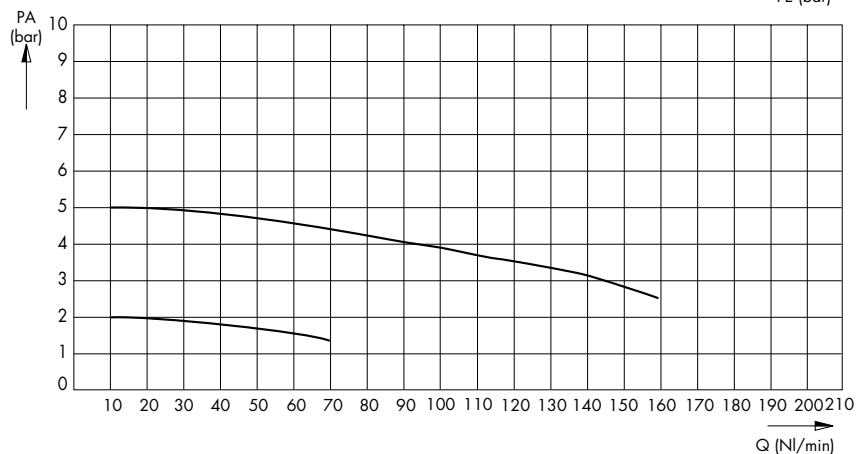
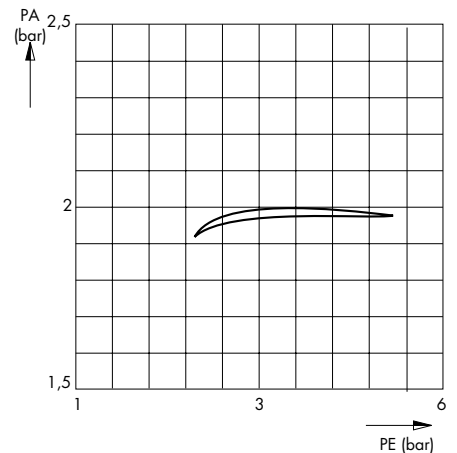
Pressure range:	Max 10 bar
Setting range:	See table
Temperature range:	0°C...+60°C
Housing:	Brass nickel plated/plastic
Seals:	NBR
Lubricant:	Not required
Operating medium:	Non-aggressive medium

Symbol	Description	Min. setting	Max. setting	Ports	Order code
	Pressure regulator relieving type	0.0 Bar	5.0 Bar	M5	48.200.00.50.00
	Pressure regulator relieving type	0.0 Bar	2.5 Bar	M5	48.200.00.25.00
	Pressure regulator relieving type	0.0 Bar	1.0 Bar	M5	48.200.00.10.00
	Pressure regulator non-relieving type	0.0 Bar	5.0 Bar	M5	48.200.00.50.10
	Pressure regulator non-relieving type	0.0 Bar	2.5 Bar	M5	48.200.00.25.10
	Pressure regulator non-relieving type	0.0 Bar	1.0 Bar	M5	48.200.00.10.10

Dimensional drawings



PA = Output pressure
 PE = Input pressure
 Q = Flowing through



Impulse Automation Limited
United Kingdom
Company Registration 665193