

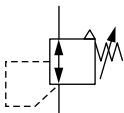
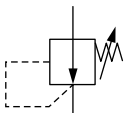
Kuhnke Pneumatic Regulator

Kuhnke 48.250 Series Air Regulator Side Mounting

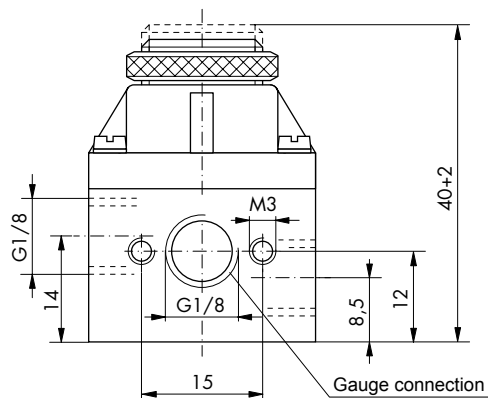
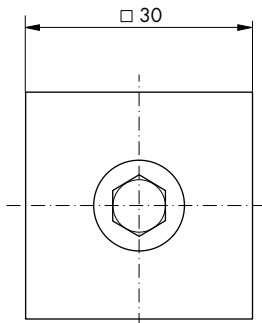


Technical information

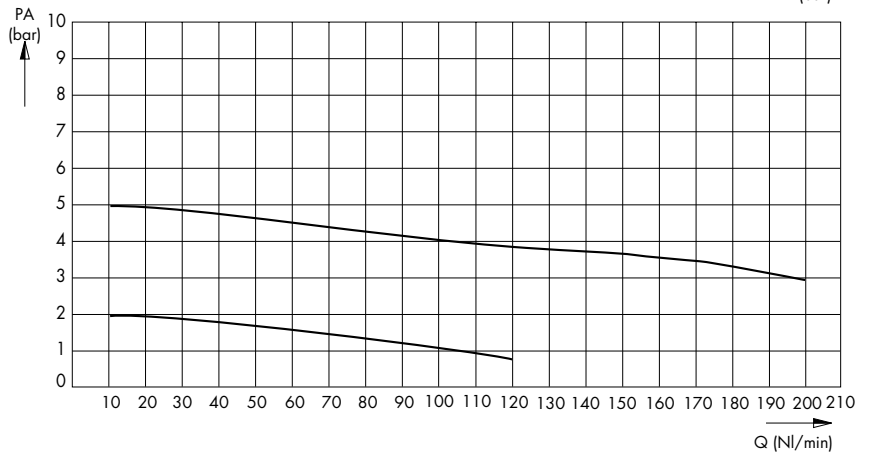
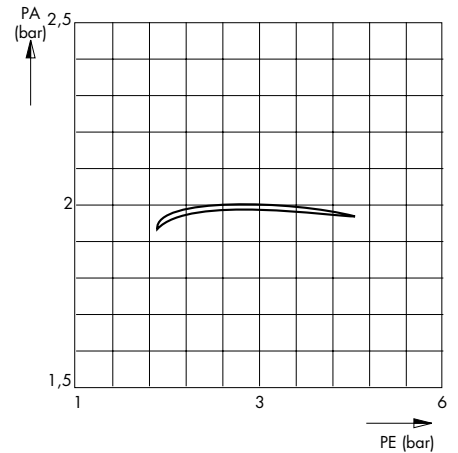
Pressure range:	Max 10 bar
Setting range:	See table
Temperature range:	0°C...+60°C
Housing:	Brass nickel plated/plastic
Seals:	NBR
Lubricant:	Not required
Operating medium:	Non-aggressive medium

Symbol	Description	Min. setting	Max. setting	Ports	Order code
	Pressure regulator relieving type	0.0 Bar	5.0 Bar	G1/8	48.250.00.50.00
	Pressure regulator relieving type	0.0 Bar	1.0 Bar	G1/8	48.250.00.10.00
	Pressure regulator non-relieving type	0.0 Bar	5.0 Bar	G1/8	48.250.00.50.10
	Pressure regulator non-relieving type	0.0 Bar	1.0 Bar	G1/8	48.250.00.10.10

Dimensional drawings



PA = Output pressure
 PE = Input pressure
 Q = Flowing through



Impulse Automation Limited
United Kingdom
Company Registration 665193