

# Kuhnke Pneumatic Regulator

## Kuhnke 50.780 Series Air Regulator Panel Mounting

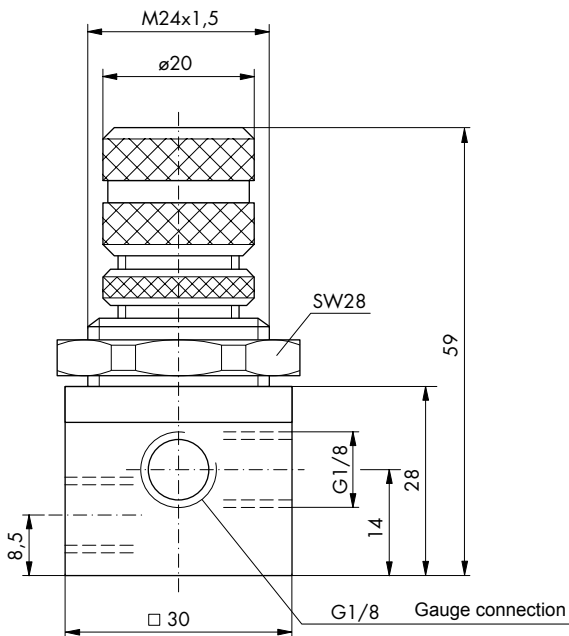


### Technical information

|                           |                       |
|---------------------------|-----------------------|
| <b>Pressure range:</b>    | Max 10 bar            |
| <b>Setting range:</b>     | See table             |
| <b>Temperature range:</b> | 0°C...+60°C           |
| <b>Housing:</b>           | Brass nickel plated   |
| <b>Seals:</b>             | NBR                   |
| <b>Lubricant:</b>         | Not required          |
| <b>Operating medium:</b>  | Non-aggressive medium |

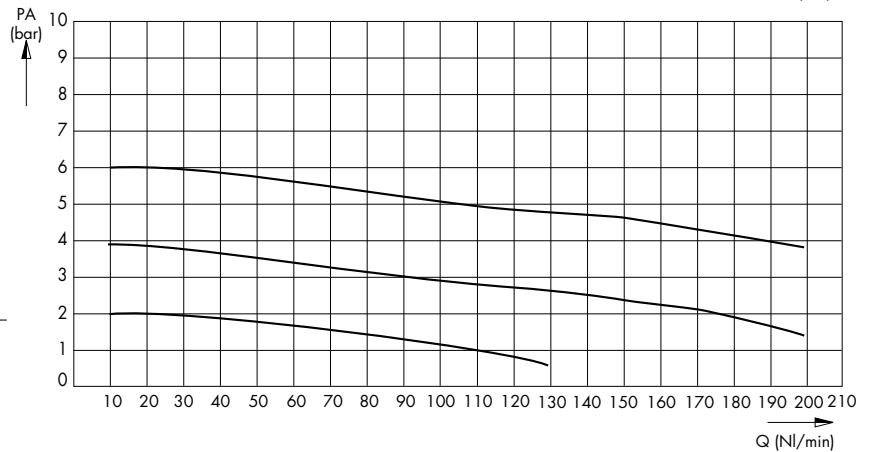
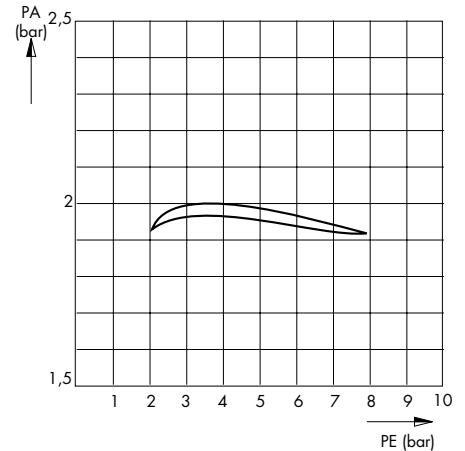
| Symbol | Description                           | Min. setting | Max. setting | Ports | Order code             |
|--------|---------------------------------------|--------------|--------------|-------|------------------------|
|        | Pressure regulator relieving type     | 0.0 Bar      | 8.0 Bar      | G1/8  | <b>50.780.00.80.00</b> |
|        | Pressure regulator relieving type     | 0.0 Bar      | 2.5 Bar      | G1/8  | <b>50.780.00.25.00</b> |
|        | Pressure regulator relieving type     | 0.0 Bar      | 1.0 Bar      | G1/8  | <b>50.780.00.10.00</b> |
|        | Pressure regulator non-relieving type | 0.0 Bar      | 8.0 Bar      | G1/8  | <b>50.780.00.80.10</b> |
|        | Pressure regulator non-relieving type | 0.0 Bar      | 2.5 Bar      | G1/8  | <b>50.780.00.25.10</b> |
|        | Pressure regulator non-relieving type | 0.0 Bar      | 1.0 Bar      | G1/8  | <b>50.780.00.10.10</b> |

### Dimensional drawings



Max. thickness of front panel plate is 4 mm

PA = Output pressure  
 PE = Input pressure  
 Q = Flowing through



**Impulse Automation Limited**  
**United Kingdom**  
**Company Registration 665193**