

Kuhnke Pneumatic Regulator

Kuhnke 50.805 Series Air Regulator Manifold Mounting

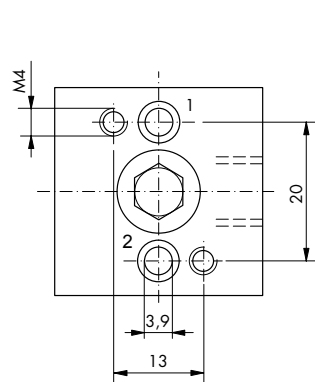
Technical information

Pressure range:	Max 10 bar
Setting range:	See table
Temperature range:	0°C...+60°C
Housing:	Brass nickel plated
Seals:	NBR
Lubricant:	Not required
Operating medium:	Non-aggressive medium



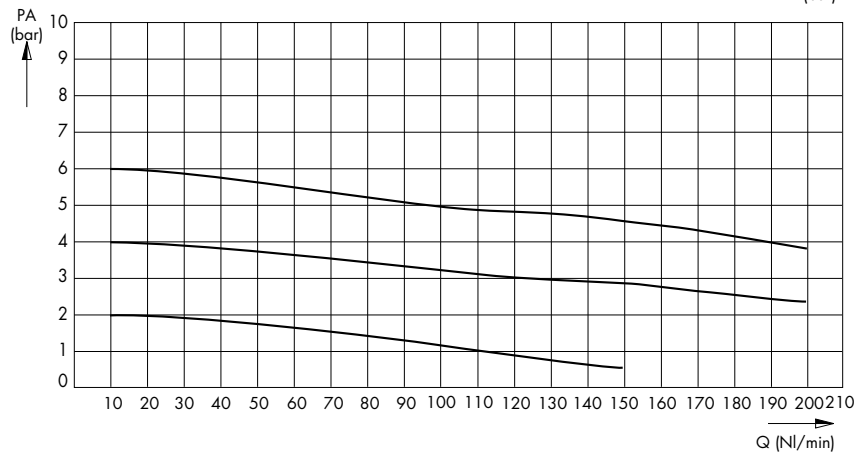
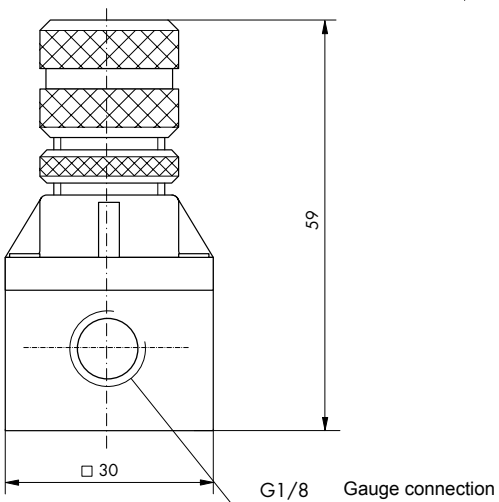
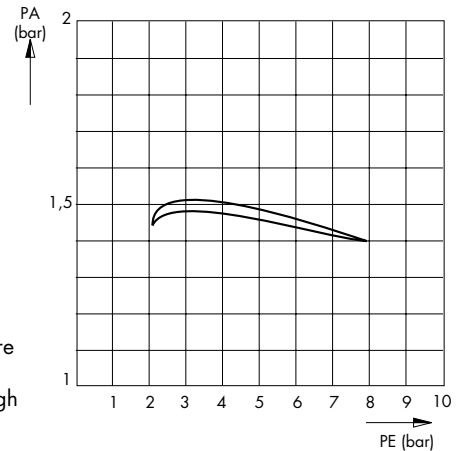
Symbol	Description	Min. setting	Max. setting	Order code
	Pressure regulator relieving type	0.0 Bar	8.0 Bar	50.805.00.80.00
	Pressure regulator relieving type	0.0 Bar	1.0 Bar	50.805.00.10.00
	Pressure regulator non-relieving type	0.0 Bar	8.0 Bar	50.805.00.80.10
	Pressure regulator non-relieving type	0.0 Bar	1.0 Bar	50.805.00.10.10

Dimensional drawings



Drilling plan
Bottom view

PA = Output pressure
 PE = Input pressure
 Q = Flowing through



Impulse Automation Limited
United Kingdom
Company Registration 665193