

# Kuhnke Pneumatic Regulator

## Kuhnke 50.880 Series Air Regulator Panel Mounting

### Technical information

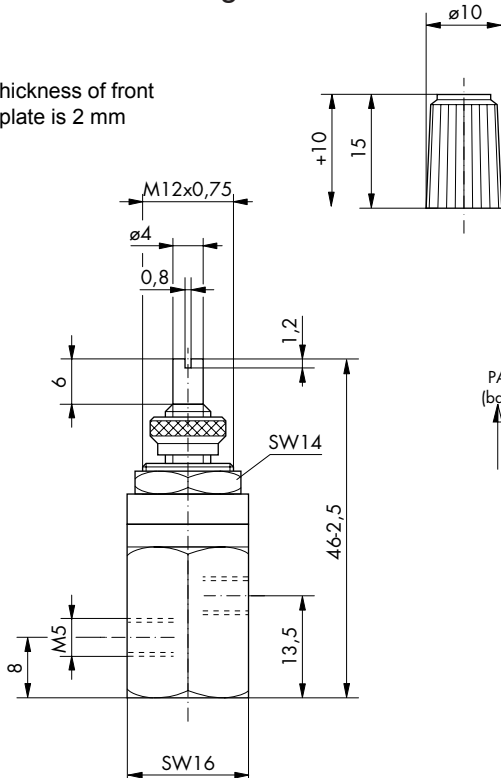
<b>Pressure range:</b>	Max 10 bar
<b>Setting range:</b>	See table
<b>Temperature range:</b>	0°C...+60°C
<b>Housing:</b>	Brass nickel plated
<b>Seals:</b>	NBR
<b>Lubricant:</b>	Not required
<b>Operating medium:</b>	Non-aggressive medium
<b>Accessories:</b>	Rotary knob (Order code 50.883.00)



Symbol	Description	Min. setting	Max. setting	Ports	Order code
	Pressure regulator relieving type	0.0 Bar	8.0 Bar	M5	<b>50.880.00.80.00</b>
	Pressure regulator relieving type	0.0 Bar	4.0 Bar	M5	<b>50.880.00.40.00</b>
	Pressure regulator relieving type	0.0 Bar	2.0 Bar	M5	<b>50.880.00.20.00</b>
	Pressure regulator non-relieving type	0.0 Bar	8.0 Bar	M5	<b>50.880.00.80.10</b>
	Pressure regulator non-relieving type	0.0 Bar	4.0 Bar	M5	<b>50.880.00.40.10</b>
	Pressure regulator non-relieving type	0.0 Bar	2.0 Bar	M5	<b>50.880.00.20.10</b>

### Dimensional drawings

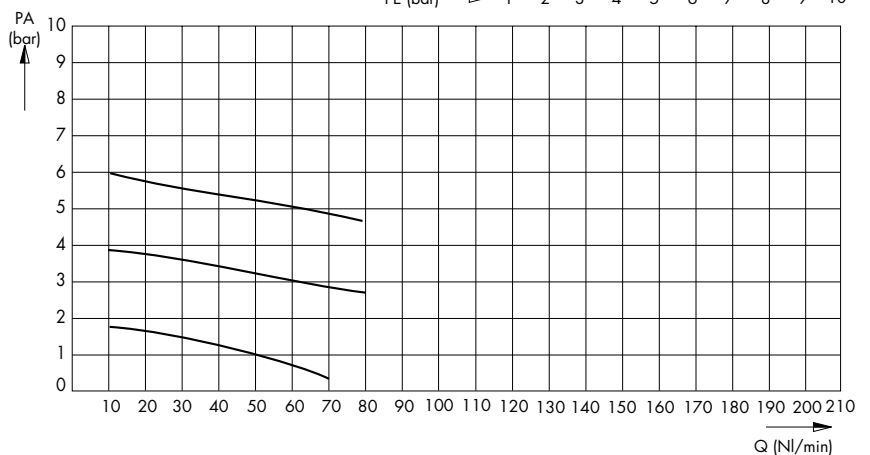
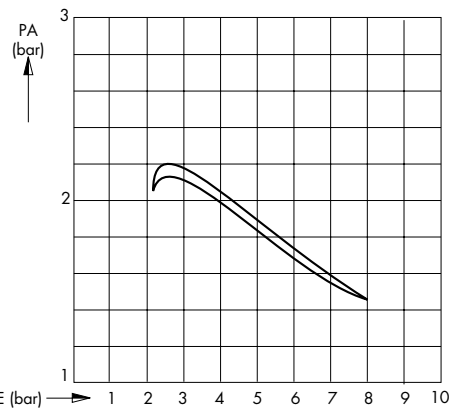
Max. thickness of front panel plate is 2 mm



Rotary knob

Order code: **50.883.00**

PA = Output pressure  
 PE = Input pressure  
 Q = Flowing through



**Impulse Automation Limited**  
**United Kingdom**  
**Company Registration 665193**