

# Kuhnke Pneumatic Visual Indicator 50.520 or 50.521

## Lens Type Indication - Panel Mounting

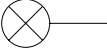
### Technical information

**Pressure range:** 1.2-8 bar  
**Temperature range:** -10°C...+50°C  
**Housing:** Moulded polyamide.  
**Switching frequency:** Approx. 5 Hz  
**Operating medium:** 5 micron filtered non-lubricated compressed air.

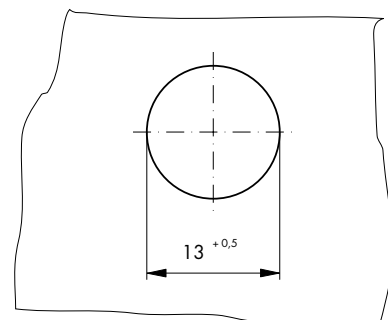
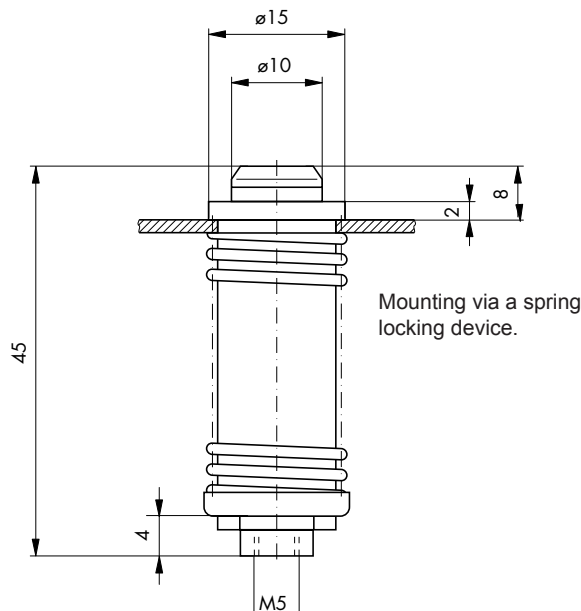
### Other Information:

Each unit is supplied with a bezel for mounting in a 20mm diameter hole.



Symbol	Description	Ports	Colour	Order code
	Black to red visual indication of air pressure	M5	Red	<b>50.520</b>
	Black to green visual indication of air pressure	M5	Green	<b>50.521</b>

### Dimensional drawings



Drilling plan without bezel

**Impulse Automation Limited**  
**United Kingdom**  
**Company Registration 665193**