

Miniature Solenoid Valves

Kuhnke 64 Series Valve - 3/2 Way N/C Screw-in Base

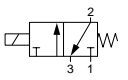
Technical information

Temperature range:	-10°C...+50°C
Valve type:	Poppet
Duty cycle:	Continuous 100%
Housing:	Brass body, encapsulated coils
Seals:	NBR
Lubricant:	Not required.
Earthing contact:	Part of the standard device.
Operating medium:	5 micron filtered, lubricated or non-lubricated compressed air.

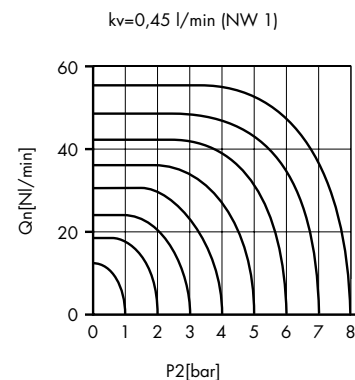
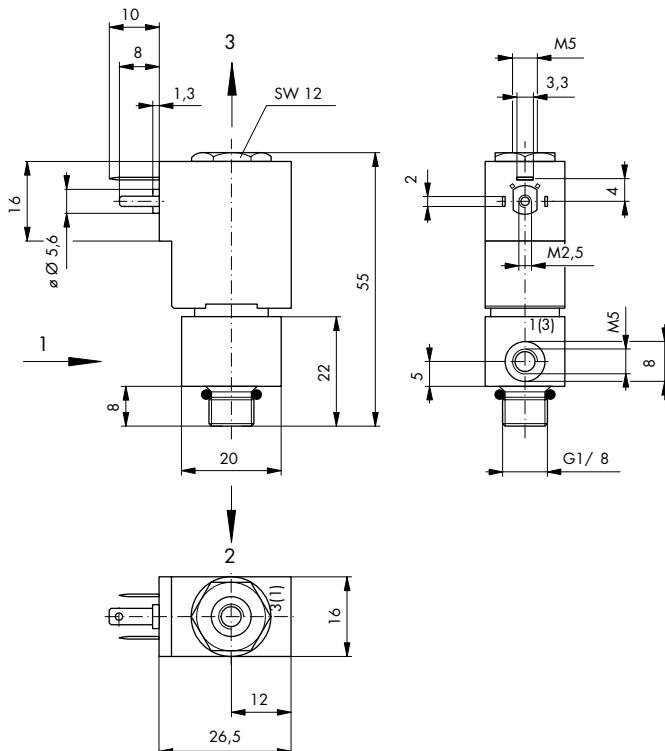


Other information

Insert coil voltage required to complete the order code, example 64.015.24VDC.
 Standard voltages are 12 and 24 VDC; 24, 110 and 230 VAC.
 Minimum order quantities may apply.
 Order connecting plugs separately, part number 64.230.01.

Symbol	Description	Max. Pressure	Coil Power	Orifice	Ports	Order code
	3/2 way spring return normally closed DC coil	8 bar	DC 4.6 W	1mm	M5-G1/8	64.015
	3/2 way spring return normally closed AC coil	8 bar	AC 5.5 VA	1mm	M5-G1/8	64.014

Dimensional drawings



Impulse Automation Limited
United Kingdom
Company Registration 665193