

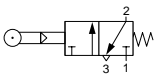
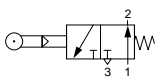
# Miniature Pneumatic Valves

## Kuhnke 72 Series Micro Valve - Roller Lever Operated

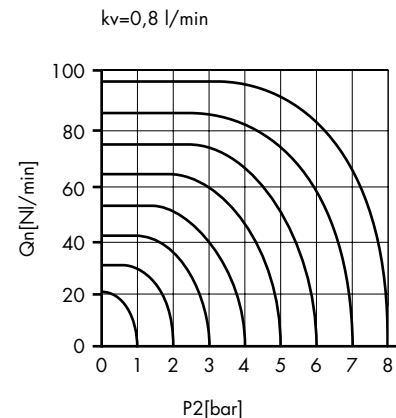
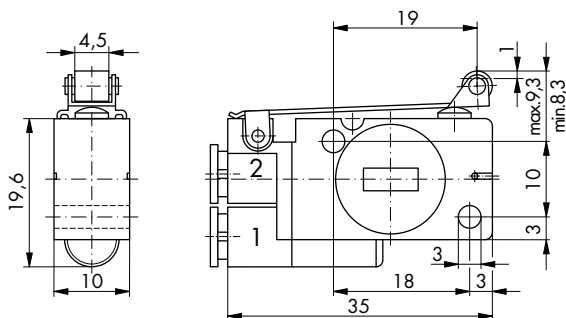
### Technical information

<b>Actuation force @ 8 bar:</b>	Approx. 1N
<b>Actuation stroke/override:</b>	0.6 mm/1 mm
<b>Air consumption @ 6 bar:</b>	Approx. 0.7 l/min
<b>Pressure range:</b>	1.5-8 bar - air pilot assisted
<b>Temperature range:</b>	-10°C...+60°C
<b>Housing:</b>	Polyamide with brass fittings
<b>Seals:</b>	Perbunan
<b>Lubricant:</b>	Not required
<b>Operating medium:</b>	5 micron filtered, lubricated or non-lubricated compressed air



Symbol	Description	Orifice	Connection	Order code
	3/2 way spring return normally closed sintered exhaust	2mm	Push-in 4mm	<b>72.020</b>
	3/2 way spring return normally open sintered exhaust	2mm	Push-in 4mm	<b>72.025</b>

### Dimensional drawings



**Impulse Automation Limited**  
**United Kingdom**  
**Company Registration 665193**