

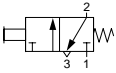
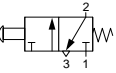
Miniature Pneumatic Valves

Kuhnke 74 Series Valve - Plunger & Push Button

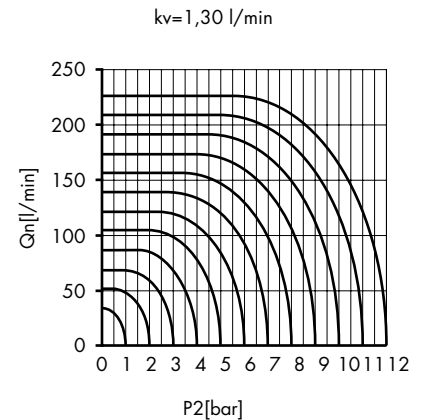
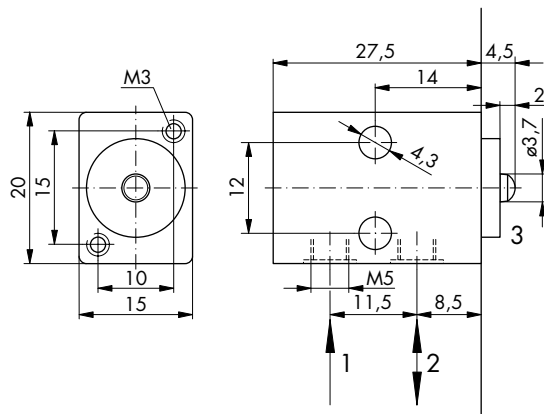
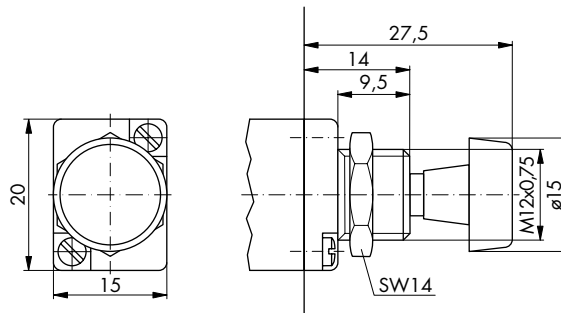
Technical information

Actuation force @ 6 bar:	Approx. 25N
Pressure range:	0-12 bar
Temperature range:	-10°C...+60°C
Housing:	Zinc alloy
Seals:	Perbunan
Lubricant:	Not required
Operating medium:	5 micron filtered, lubricated or non-lubricated compressed air



Symbol	Description	Type	Orifice	Ports	Order code
	3/2 way plunger spring return normally closed sintered exhaust	Poppet	2mm	M5	74.000
	3/2 way push button spring return normally closed sintered exhaust	Poppet	2mm	M5	74.002

Dimensional drawings



Impulse Automation Limited
United Kingdom
Company Registration 665193