

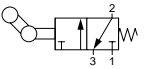
Miniature Pneumatic Valves

Kuhnke 79 Series Valve - One Way Roller Lever

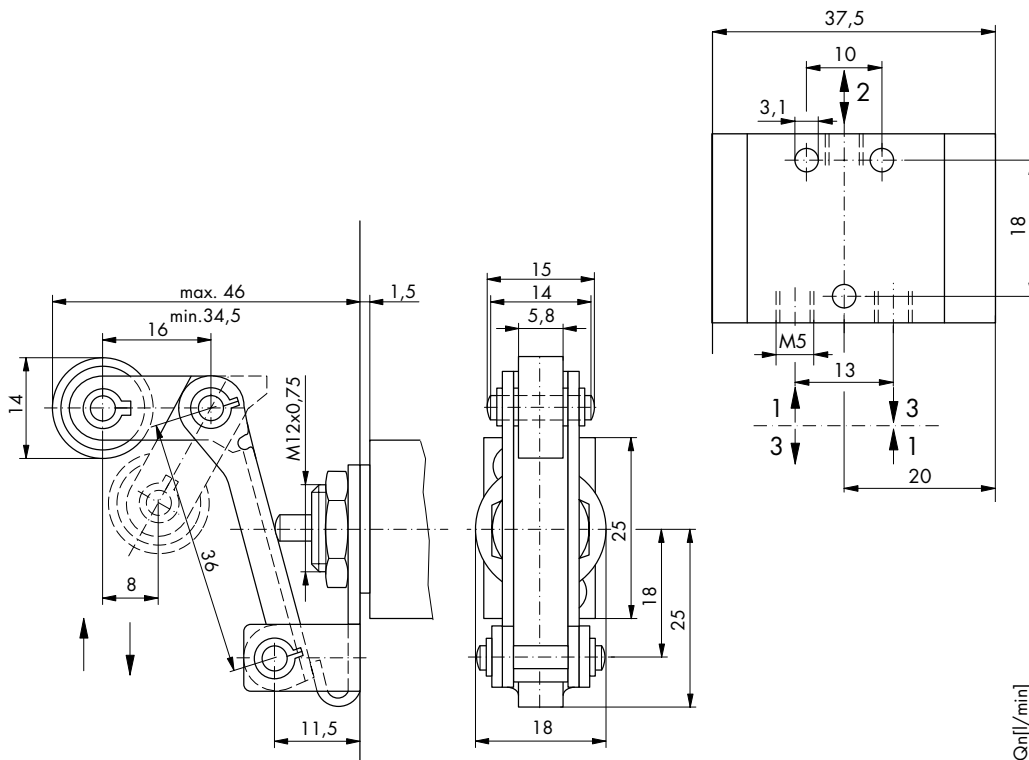
Technical information

| | |
|---------------------------|--|
| Actuation force: | Approx. 4N |
| Pressure range: | 0-10 bar |
| Temperature range: | -10°C...+70°C |
| Housing: | Aluminium alloy/Zinc alloy/Makrolon |
| Spool & liner: | Steel, corrosion resistant |
| Lubricant: | Not required |
| Operating medium: | 5 micron filtered, lubricated or non-lubricated compressed air |



| Symbol | Description | Type | Orifice | Ports | Order code |
|---|--|-------|---------|-------|---------------|
|  | 3/2 way roller (one way) spring return normally closed | Spool | 2mm | M5 | 79.023 |

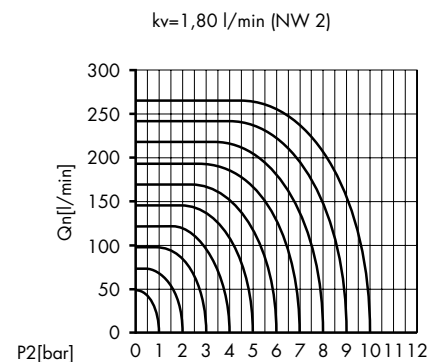
Dimensional drawings



Spare roller levers are available:

One Way

Order code: MM4930016



Document No: J1009 Revision 1

Impulse Automation Limited
United Kingdom
Company Registration 665193