

Miniature Solenoid Valves

Kuhnke 79 Series Valve - 3/2 Way Single Solenoid

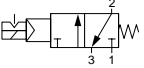
Technical information

Pressure range:	2-8 bar
Temperature range:	-10°C...+50°C
Duty cycle:	Continuous 100%
Housing:	Aluminium alloy/Zinc alloy/Makrolon
Spool & liner:	Steel, corrosion resistant
Lubricant:	Not required.
Earthing contact:	Part of the standard device.
Operating medium:	5 micron filtered, lubricated or non-lubricated compressed air.

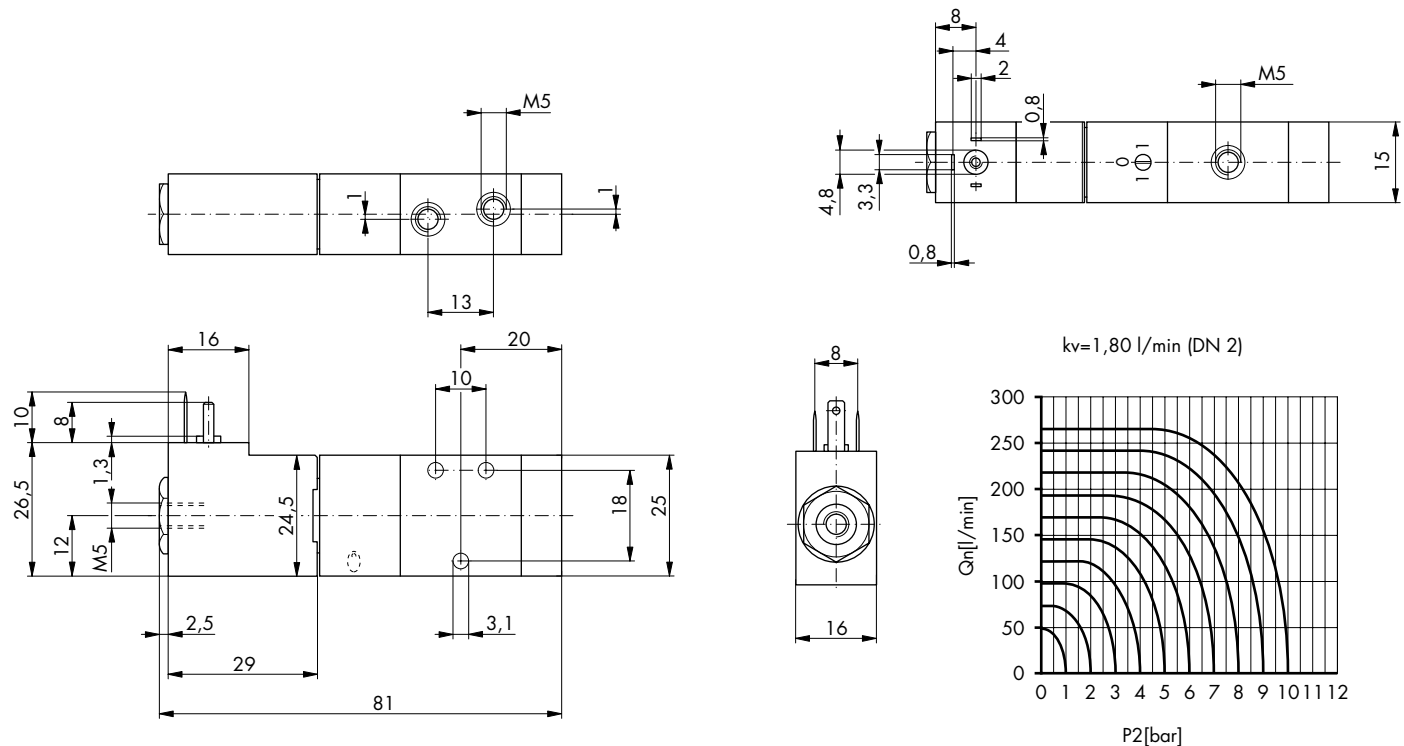


Other information

Insert coil voltage required to complete the order code, example 79.040.01 24VDC.
 Standard voltages are 12 and 24 VDC: 24, 110 and 230 VAC.
 Order connecting plugs separately, part number 64.230.01.

Symbol	Description	Ports	Coil Power	Type	Orifice	Order code
	3/2 way spring return normally closed DC coil	M5	1.8 W	Spool	2mm	79.040.01
	3/2 way spring return normally closed AC coil	M5	5.5 VA	Spool	2mm	79.040.02

Dimensional drawings



Impulse Automation Limited
 United Kingdom
 Company Registration 665193