

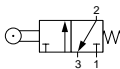
# Miniature Pneumatic Valves

## Kuhnke 79 Series Valve - Two Way Roller Lever

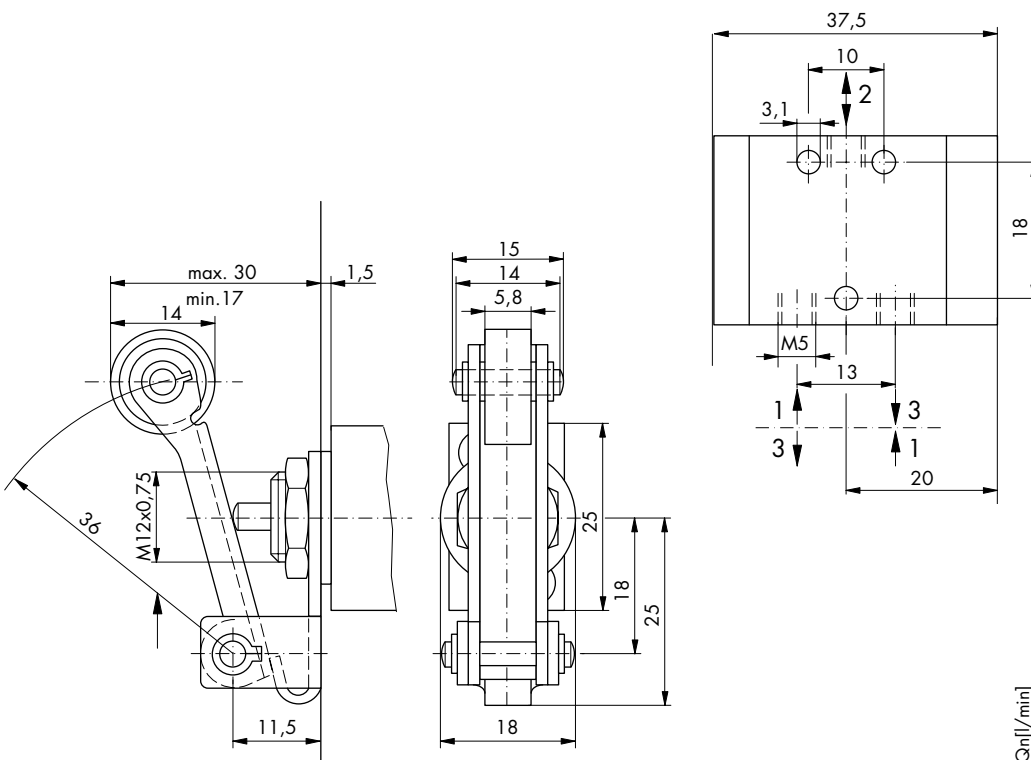
### Technical information

<b>Actuation force:</b>	Approx. 4N
<b>Pressure range:</b>	0-10 bar
<b>Temperature range:</b>	-10°C...+70°C
<b>Housing:</b>	Aluminium alloy/Zinc alloy/Makrolon
<b>Spool &amp; liner:</b>	Steel, corrosion resistant
<b>Lubricant:</b>	Not required
<b>Operating medium:</b>	5 micron filtered, lubricated or non-lubricated compressed air



Symbol	Description	Type	Orifice	Ports	Order code
	3/2 way roller (two way) spring return normally closed	Spool	2mm	M5	<b>79.022</b>

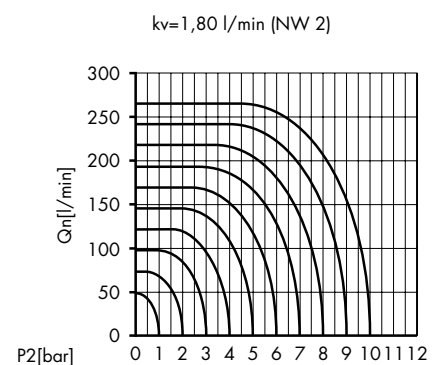
### Dimensional drawings



Spare roller levers are available:

Two Way

Order code: MM4930017



Document No: J1008 Revision 1

**Impulse Automation Limited**  
**United Kingdom**  
**Company Registration 665193**