

Miniature Pneumatic Valves

Kuhnke 81 Series Valve - Plunger & Push Button

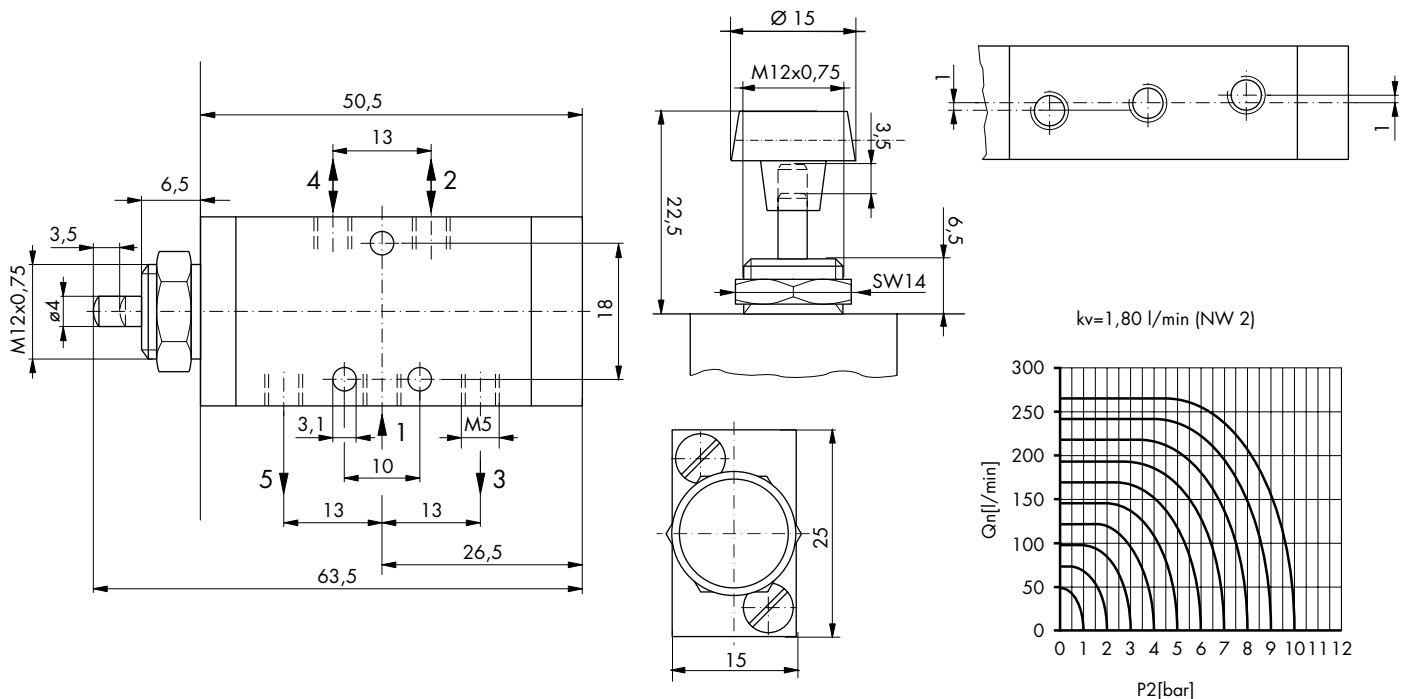
Technical information

Actuation force:	Approx. 10N
Actuation stroke:	Approx. 3.5 mm
Pressure range:	0-10 bar
Temperature range:	-10°C...+70°C
Housing:	Aluminium alloy/Zinc alloy/Makrolon
Spool & liner:	Steel, corrosion resistant
Lubricant:	Not required
Operating medium:	5 micron filtered, lubricated or non-lubricated compressed air



Symbol	Description	Type	Orifice	Ports	Order code
	5/2 way plunger spring return	Spool	2mm	M5	81.020
	5/2 way push button spring return	Spool	2mm	M5	81.021

Dimensional drawings



Impulse Automation Limited
United Kingdom
Company Registration 665193