

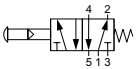
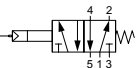
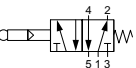
# Miniature Pneumatic Valves

## Kuhnke 81 Series Valve - Button, Roller & Whisker

### Technical information

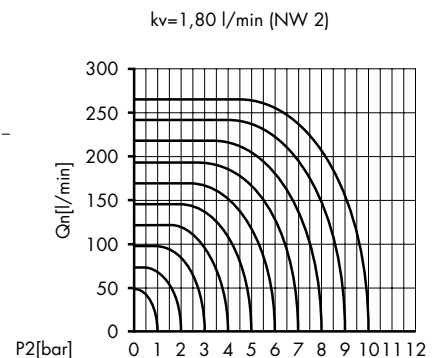
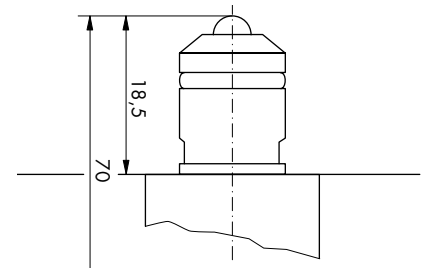
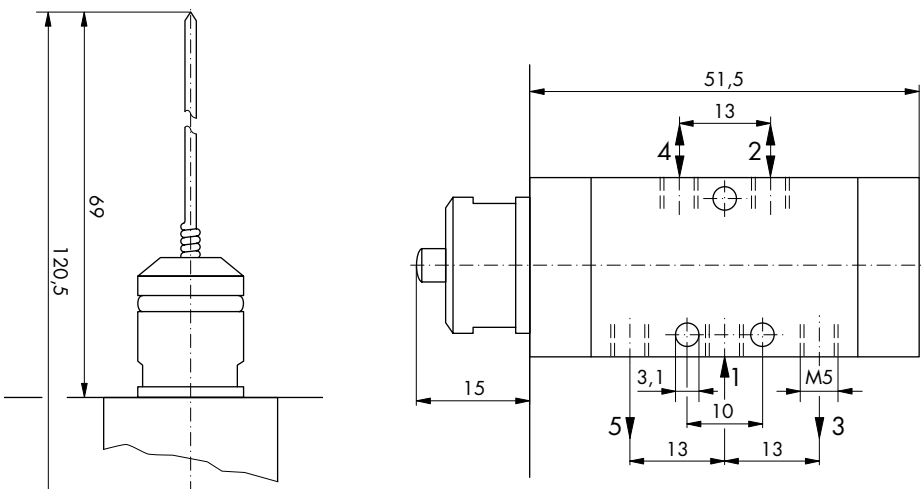
**Actuation force @ 6 bar:** Approx. 0.25N (0.05N at tip for whisker type)  
**Actuation stroke:** Approx. 1 mm for button & roller ball types  
**Air consumption @ 6 bar:** Approx. 2 l/min  
**Pressure range:** 2-10 bar - air pilot assisted  
**Temperature range:** 0°C...+70°C  
**Housing:** Aluminium alloy/Zinc alloy/Makrolon  
**Spool & liner:** Steel, corrosion resistant  
**Lubricant:** Not required  
**Operating medium:** 5 micron filtered, lubricated or non-lubricated compressed air.



Symbol	Description	Type	Orifice	Ports	Order code
	5/2 way button operated spring return	Spool	2mm	M5	<b>81.027</b>
	5/2 way whisker operated spring return	Spool	2mm	M5	<b>81.028</b>
	5/2 way roller ball operated spring return	Spool	2mm	M5	<b>81.029</b>

### Dimensional drawings

Spare whiskers are available  
**Order code:** MM4920003



**Impulse Automation Limited**  
**United Kingdom**  
**Company Registration 665193**