

Miniature Solenoid Valves

Kuhnke 81 Series Valve - 5/2 Way Single & Double Solenoid

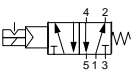
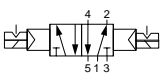
Technical information

Pressure range:	2-8 bar
Temperature range:	-10°C...+50°C
Duty cycle:	Continuous 100%
Housing:	Aluminium alloy/Zinc alloy/Makrolon
Spool & liner:	Steel, corrosion resistant
Lubricant:	Not required.
Earthing contact:	Part of the standard device.
Operating medium:	5 micron filtered, lubricated or non-lubricated compressed air.

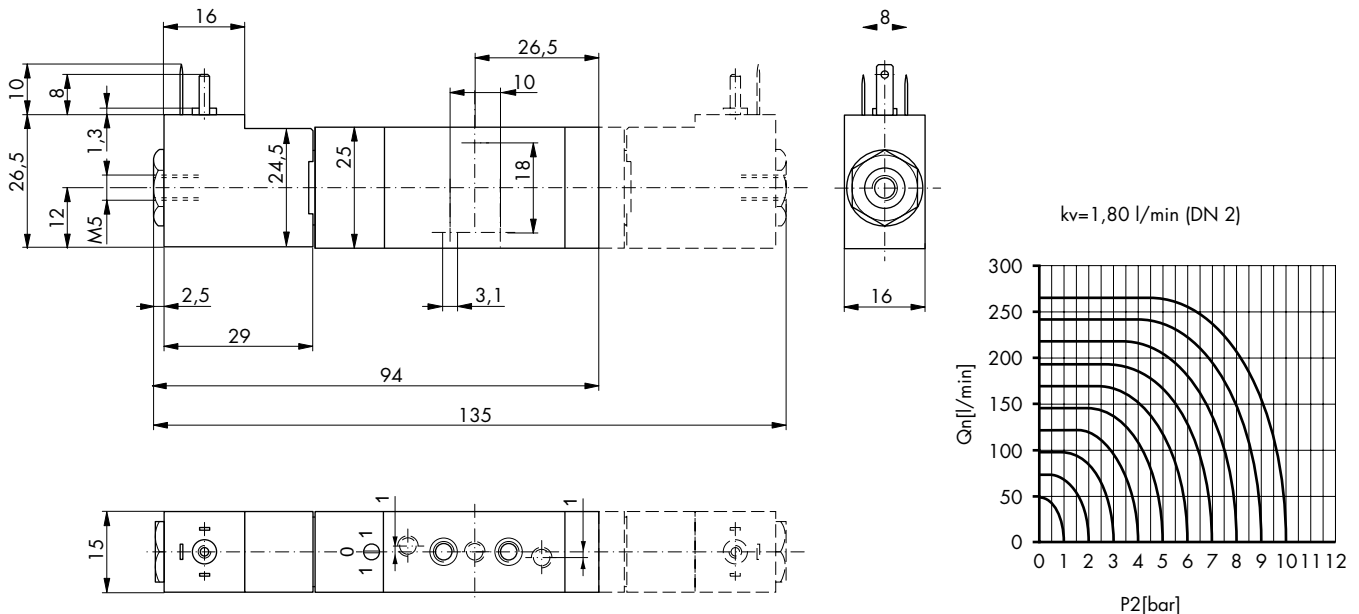


Other information

Insert coil voltage required to complete the order code, example 81.040.01 24VDC.
 Standard voltages are 12 and 24 VDC: 24, 110 and 230 VAC.
 Order connecting plugs separately, part number 64.230.01.

Symbol	Description	Ports	Coil Power	Type	Orifice	Order code
	5/2 way spring return DC coil	M5	1.8 W	Spool	2mm	81.040.01
	5/2 way spring return AC coil	M5	5.5 VA	Spool	2mm	81.040.02
	5/2 way double solenoid DC coil	M5	1.8 W	Spool	2mm	81.044.01
	5/2 way double solenoid AC coil	M5	5.5 VA	Spool	2mm	81.044.02

Dimensional drawings



Impulse Automation Limited
United Kingdom
Company Registration 665193