

Miniature Solenoid Valves

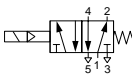
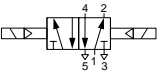
Kuhnke 84 Series Valve - 5/2 Way Manifold Mounting

Technical information

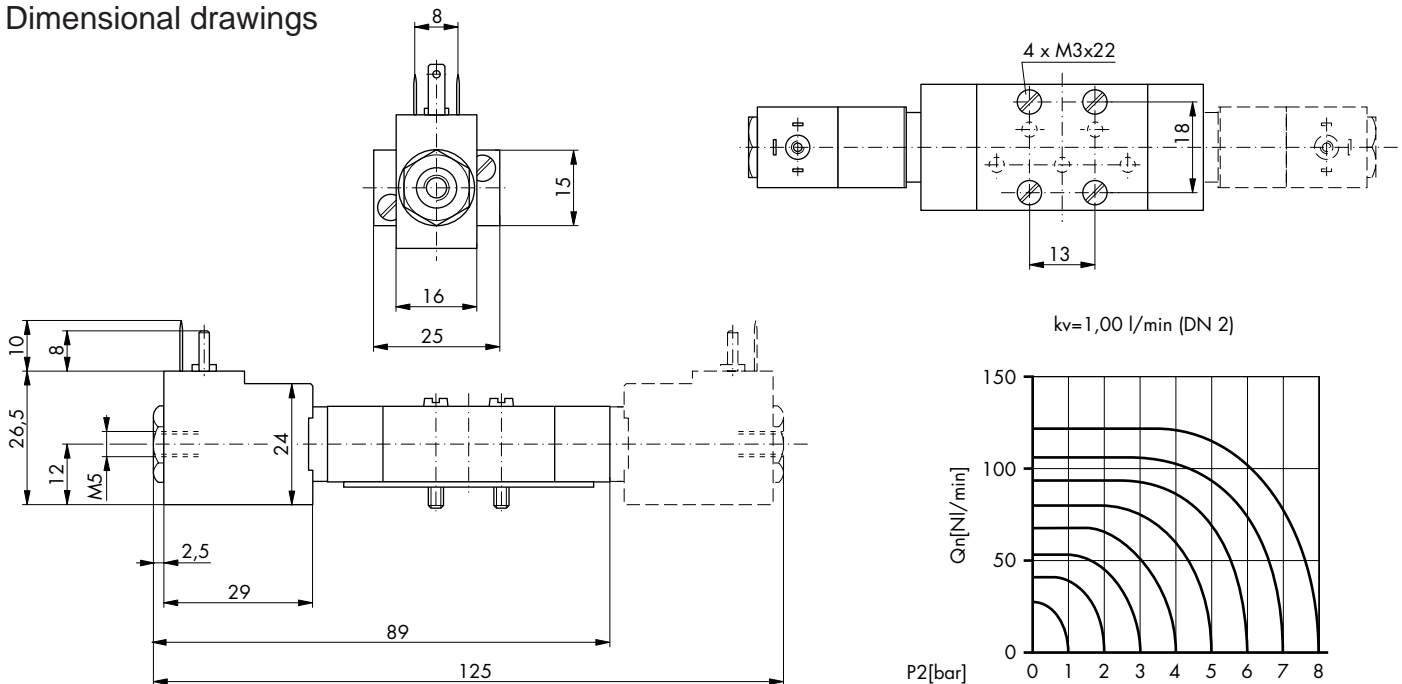
Pressure range:	2-8 bar
Temperature range:	-10°C...+50°C
Duty cycle:	Continuous 100%
Housing:	Aluminium alloy/Zinc alloy/Makrolon
Spool & liner:	Steel, corrosion resistant
Lubricant:	Not required.
Earthing contact:	Part of the standard device.
Operating medium:	5 micron filtered, lubricated or non-lubricated compressed air.

Other information

Insert coil voltage required to complete the order code, example 84.240.01 24VDC.
 Standard voltages are 12 and 24 VDC: 24, 110 and 230 VAC.
 Order connecting plugs separately, part number 64.230.01.
 Subplates are available for this product, see data sheet M1011.

Symbol	Description	Coil Power	Type	Orifice	Order code
	5/2 way single solenoid spring return DC coil	1.8 W	Spool	2mm	84.240.01
	5/2 way single solenoid spring return AC coil	5.5 VA	Spool	2mm	84.240.02
	5/2 way double solenoid DC coil	1.8 W	Spool	2mm	84.244.01
	5/2 way double solenoid AC coil	5.5 VA	Spool	2mm	84.244.02

Dimensional drawings



Impulse Automation Limited
United Kingdom
Company Registration 665193