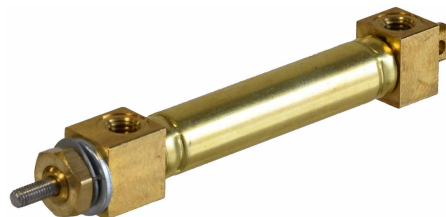


Kuhnke Pneumatic Brass Cylinder

Double Acting Cylinder (Type U) Ø 5mm - 8mm

Technical information

Operating pressure: Ø5mm 2-10 bar/Ø8mm 1.5-10 bar
Temperature range: -10°C...+70°C
Housing/end caps: Brass
Rod: Cr-Ni steel
Seals: NBR
Lubricant: Shell Tellus C10
Operating medium: 5 micron filtered, lubricated or non-lubricated compressed air.



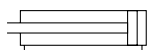
Other information:

For ATEX certification use code "X" for example 38.X.290.XXX (8mm only)
 Mountings are available for this product, see data sheet M7200

Ø	A	B	C	D	E	F	G	ØH	ØI	J	K	L	M	N	O	P	Q	R	S	SW	T	U	V	Max stroke available
5	8	M6x0.5	6	M2	4.5	10	M5	-	6.5	-	-	36	4.3	4.3	6.5	3.5	2.5	M6x0.5	3.6	-	-	-	3	50 mm
8	6.5	M6x0.5	7.5	M3	6	10	M5	-	10	-	-	57	7.3	4.3	6.5	3	2.5	M6x0.5	3.6	-	-	-	3	150 mm

Dimensional drawings

To order:

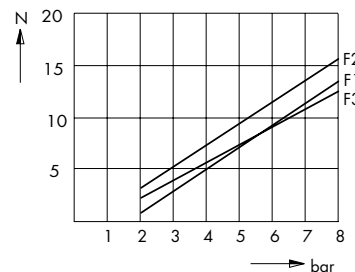


40.290.XXX 5mm bore + stroke

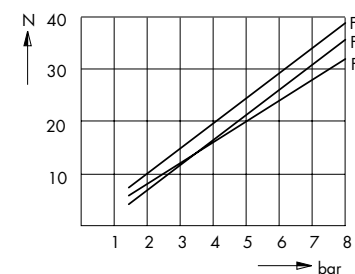
38.290.XXX 8mm bore + stroke

Example 38.290.050

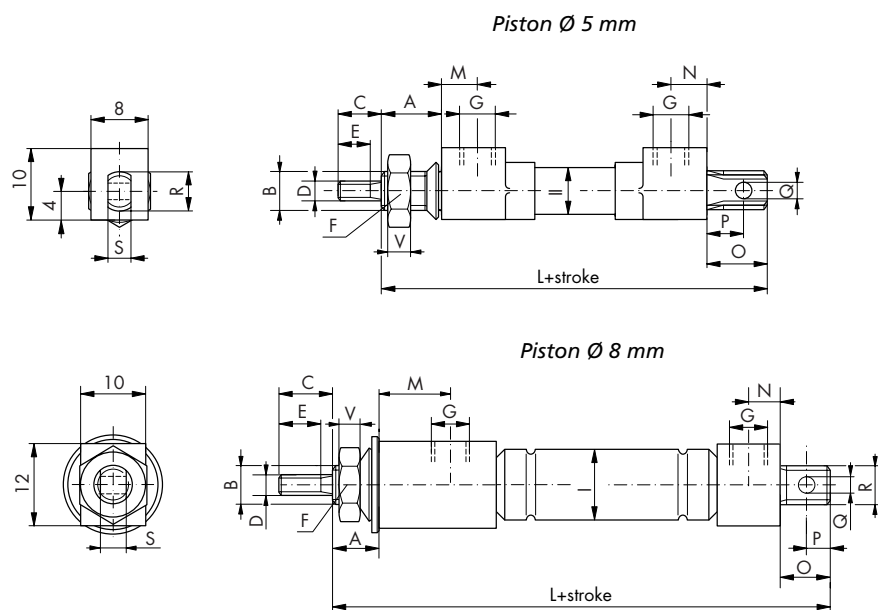
Ø 5 mm



Ø 8 mm



F1 = single acting cylinders
 F2 = double acting cylinders in forward stroke
 F3 = double acting cylinders in return stroke



Impulse Automation Limited
United Kingdom
Company Registration 665193