

Kuhnke Pneumatic Brass Cylinder

Single Acting Cylinder (Type U) Ø 5mm - 8mm

Technical information

Operating pressure: Ø5mm 2.5-10 bar/Ø8mm 2-10 bar
Temperature range: -10°C...+70°C
Housing/end caps: Brass
Rod: Cr-Ni steel
Seals: NBR
Lubricant: Shell Tellus C10
Operating medium: 5 micron filtered, lubricated or non-lubricated compressed air.



Other information:

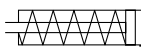
For ATEX certification use code "X" for example 38.X.190.XXX (Ø 8mm only)
 Mountings are available for this product, see data sheet M7200

Ø	A	B	C	D	E	F	G	ØH	ØI	J	K	N	O	P	Q	R	S	SW	T	U	V	Max stroke available
5	8	M6x0.5	6	M2	4.5	10	M5	8	6.5	-	-	4.3	6.5	3.5	2.5	M6x0.5	3.6	-	-	-	3	25 mm
8	8	M6x0.5	7.5	M3	6	10	M5		10	-	-	4.3	6.5	3	2.5	M6x0.5	3.6	-	-	-	3	50 mm

Standard strokes available

Ø	5	5	8	8	8	8
Stroke (mm)	10	25	12.5	25	37.5	50
L	52	67	63	83.5	104	125

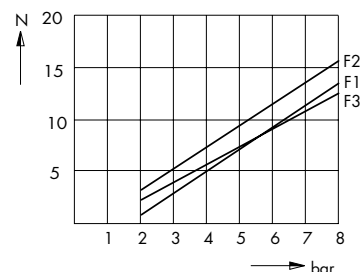
To order:



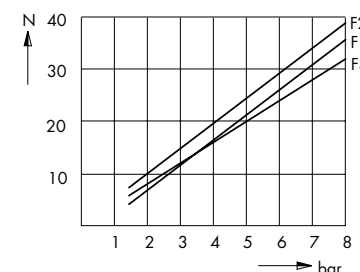
40.190.XXX 5mm bore + standard stroke
38.190.XXX 8mm bore + standard stroke

Use code 012 for 12.5mm stroke & 037 for 37.5mm stroke, for example **38.190.037**.

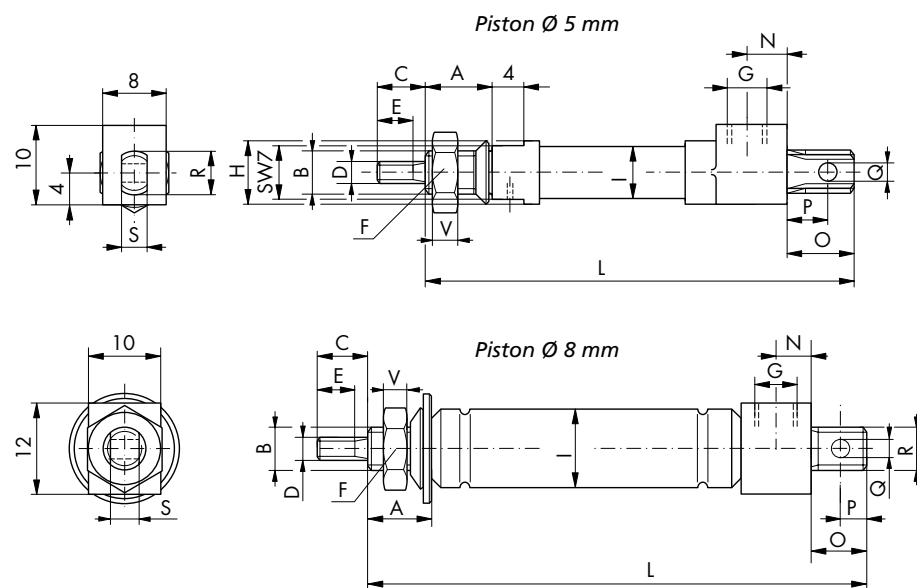
Ø 5 mm



Ø 8 mm



Dimensional drawings



F1 = single acting cylinders
 F2 = double acting cylinders in forward stroke
 F3 = double acting cylinders in return stroke

Springs are designed for the return of the piston not the coupled mass.

Impulse Automation Limited
United Kingdom
Company Registration 665193