

CNOMO Pneumatic Cylinder

Double Acting Ø 125mm - 320mm

Technical information

Operating pressure: Max. 10 bar
Temperature range: -10°C...+80°C (Dry air for below 0°C)
Housing/end caps: Aluminium
Rod: C45 chromium plated steel (Optional stainless steel)
Seals: NBR (Optional Viton -10°C...+150°C)
Lubricant: Not required
Operating medium: 5 micron filtered, lubricated or non-lubricated compressed air.



The picture above is an indication of design only.
 See dimensional drawings.

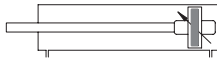
Other information:

Sensors & seal kits are available for this product, see data sheet M8200.
 Mountings are available for Ø 125 - 200mm only, see data sheets M0024/M4200/M4201.

Ø	A	B	C	D	ØE	F	G	H	ØJ	K	L	M	N	O	P	Q	ØR	S	I
125	140	48.5	20	5	55	110	22	M12	30	27	27	M27x2	63	145	192	G1/2	27	85	34
160	180	60	35	5	65	140	27	M16	40	15	36	M36x2	85	180	230	G3/4	35	102	42
200	220	59	35	5	65	175	27	M16	40	15	36	M36x2	85	180	230	G3/4	35	104	42
250	280	60	50	5	90	220	38	M20	50	30	41	M36x2	85	230	310	G3/4	35	149	50
320	340	60	82	5	110	270	46	M24	63	23	55	M36x2	90	230	335	G1	50	170	60

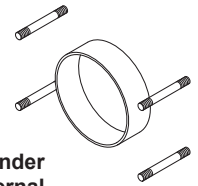
Dimensional drawings & ordering information

To order: C.125.XXXX.DOM 125mm bore + stroke
 C.160.XXXX.DOM 160mm bore + stroke
 C.200.XXXX.DOM 200mm bore + stroke
 C.250.XXXX.DOM 250mm bore + stroke
 C.320.XXXX.DOM 320mm bore + stroke



Length of cushioning:

Ø 125 35mm
 Ø 160 45mm
 Ø 200 45mm
 Ø 250 50mm
 Ø 320 50mm



This Cylinder has an external tie-rod tube profile.

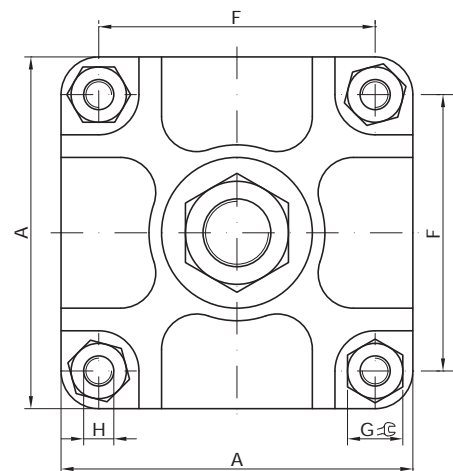
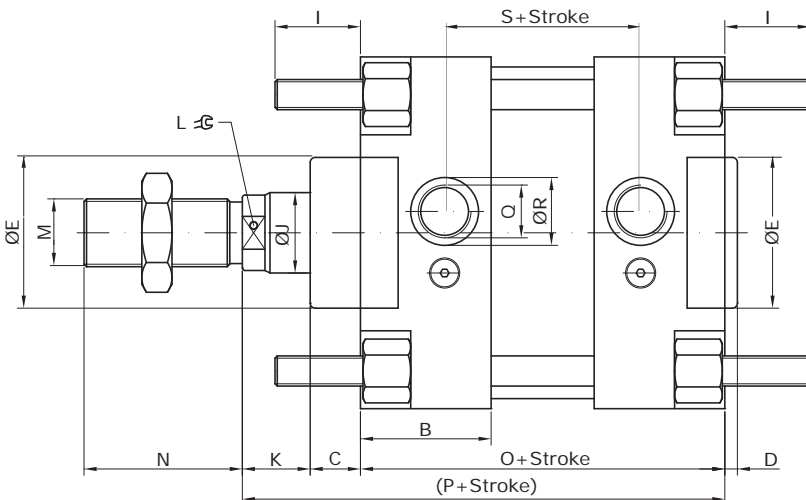
Stainless steel piston rod is also available for example: C.XXX.XXXX.DOM.4

Viton** seals are also available for example: C.XXX.XXXX.DOM.8

** Ø 125/160/200mm only, a maximum temperature limitation of 100 C for the magnet to be effective when sensors are being used.

Non-magnetic versions are also available for example: A.XXX.XXXX.DOM

A special code will be generated by our factory should your requirement be for both Viton seals and stainless piston rod in the one assembly.



Impulse Automation Limited
United Kingdom
Company Registration 665193