

CNOMO Pneumatic Cylinder

Double Acting Through-Rod \varnothing 125mm - 320mm

Technical information

Operating pressure: Max. 10 bar
Temperature range: -10°C...+80°C (Dry air for below 0°C)
Housing/end caps: Aluminium
Rod: C45 chromium plated steel (Optional stainless steel)
Seals: NBR (Optional Viton -10°C...+150°C)
Lubricant: Not required
Operating medium: 5 micron filtered, lubricated or non-lubricated compressed air.



The picture above is an indication of design only. See dimensional drawings.

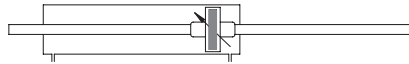
Other information:

Sensors & seal kits are available for this product, see data sheet M8200.
 Mountings are available for \varnothing 125 - 200mm only, see data sheets M0024/M4201.

\varnothing	A	B	C	D	$\varnothing E$	F	G	H		$\varnothing J$	K	L	M	N	O	P	Q	$\varnothing R$	I
125	140	48.5	20	110	55	86	22	M12	-	30	27	27	M27x2	63	145	239	G1/2	27.5	34
160	180	60	35	140	65	102	27	M16	-	40	15	36	M36x2	85	180	280	G3/4	35	42
200	220	59	35	175	65	104	27	M16	-	40	15	36	M36x2	85	180	280	G3/4	35	42
250	280	60	50	220	90	149	38	M20	-	50	30	41	M36x2	85	230	390	G3/4	35	50
320	340	60	82	270	110	170	46	M24	-	63	23	55	M36x2	90	230	440	G1	50	60

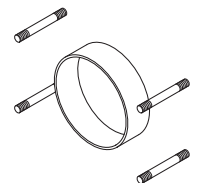
Dimensional drawings & ordering information

To order: C.125.XXXX.DOM.1 125mm bore + stroke
 C.160.XXXX.DOM.1 160mm bore + stroke
 C.200.XXXX.DOM.1 200mm bore + stroke
 C.250.XXXX.DOM.1 250mm bore + stroke
 C.320.XXXX.DOM.1 320mm bore + stroke



Length of cushioning:

- \varnothing 125 35mm
- \varnothing 160 45mm
- \varnothing 200 45mm
- \varnothing 250 50mm
- \varnothing 320 50mm



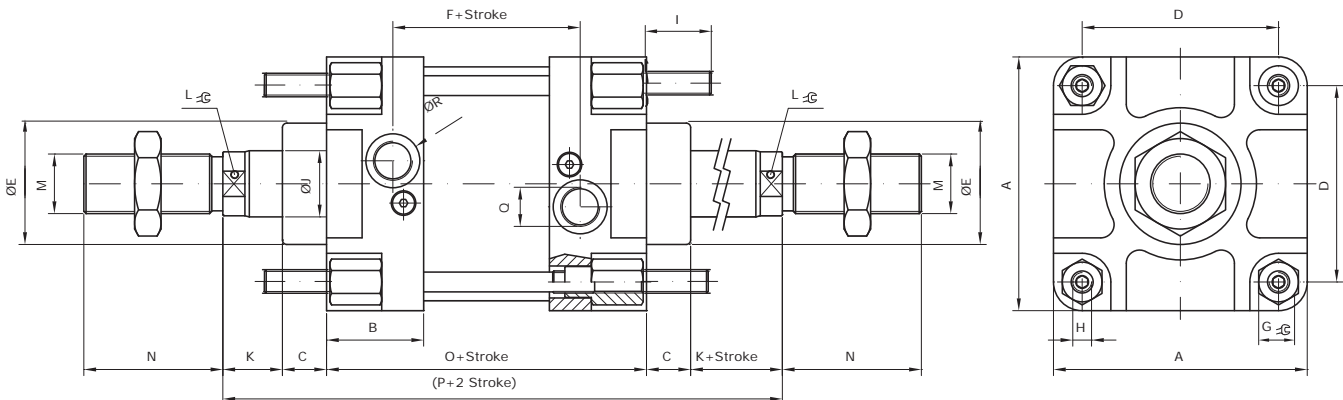
Non-magnetic versions are also available for example: A.XXX.XXXX.DOM.1

Stainless steel piston rod and/or Viton** seals are also available.

For these versions a special project code will be generated by our factory.

** \varnothing 125/160/200mm only, a maximum temperature limitation of 100 C for the magnet to be effective when sensors are being used.

This Cylinder has an external tie-rod tube profile.



Impulse Automation Limited
United Kingdom
Company Registration 665193