

# CNOMO Pneumatic Cylinder

## Double Acting Through-Rod Ø 32mm - 100mm

### Technical information

**Operating pressure:** Max. 10 bar  
**Temperature range:** -10°C...+80°C (Dry air for below 0°C)  
**Housing/end caps:** Aluminium  
**Rod:** C45 chromium plated steel (Optional stainless steel)  
**Seals:** NBR (Optional Viton -10°C...+150°C)  
**Lubricant:** Not required  
**Operating medium:** 5 micron filtered, lubricated or non-lubricated compressed air.



The picture above is an indication of design only.  
 See dimensional drawings.

### Other information:

Sensors & seal kits are available for this product, see data sheet M8200.  
 Mountings are available, see data sheets M0024/M2201.

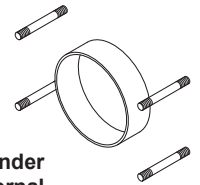
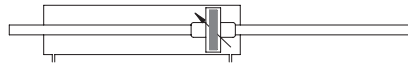
Ø	A	B	C	D	ØE	F	G	H	I	ØJ	K	L	M	N	O	P	Q	ØR
32	46	25	15	33	25	59	6	M6	15.5	12	10	10	M10	20	80	130	G 1/8	15
40	52	29	15	40	32	80	6	M6	15.5	18	19	15	M16x1.5	36	110	178	G1/4	20
50	66	29	15	49	32	74	14	M8	20.5	18	19	15	M16x1.5	36	110	178	G1/4	20
63	75	34	20	59	45	81	14	M8	20.5	22	19	19	M20x1.5	46	125	203	G3/8	23
80	95	41	20	75	45	68	17	M10	23.5	22	19	19	M20x1.5	46	125	203	G3/8	23
100	115	44	20	90	55	88	17	M10	23.5	30	27	27	M27x2	63	145	239	G1/2	27.5

### Dimensional drawings & ordering information

#### Length of cushioning:

- Ø32 28mm
- Ø40 28mm
- Ø50 32mm
- Ø63 32mm
- Ø80 40mm
- Ø100 40mm

- To order:**
- C.032.XXXX.DOM.1** 32mm bore + stroke
  - C.040.XXXX.DOM.1** 40mm bore + stroke
  - C.050.XXXX.DOM.1** 50mm bore + stroke
  - C.063.XXXX.DOM.1** 63mm bore + stroke
  - C.080.XXXX.DOM.1** 80mm bore + stroke
  - C.100.XXXX.DOM.1** 100mm bore + stroke



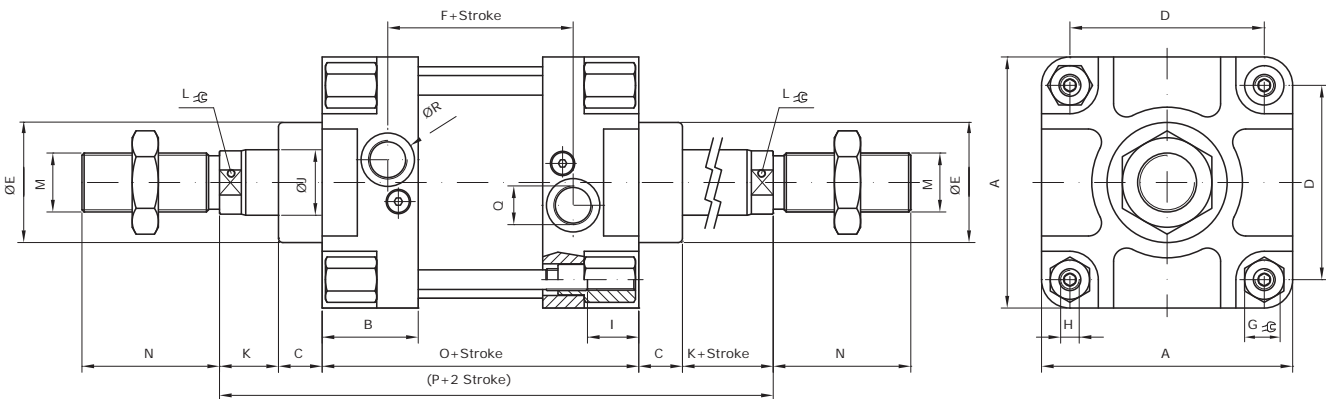
**This Cylinder has an external tie-rod tube profile.**

Non-magnetic versions are also available for example: **A.XXX.XXXX.DOM.1**

Stainless steel piston rod and/or Viton\*\* seals are also available.

For these versions a special project code will be generated by our factory.

\*\*A maximum temperature limitation of 100 C for the magnet to be effective when sensors are being used.



**Impulse Automation Limited**  
**United Kingdom**  
**Company Registration 665193**