

# Mechanically Operated Pneumatic Valves

## 2/2 & 3/2 Way Compact Roller Lever Valve One Way

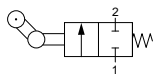
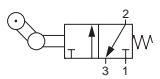
### Technical information

<b>Pressure range:</b>	0-10 bar
<b>Temperature range:</b>	-15°C...+50°C
<b>Housing:</b>	Die-cast and lacquered zinc alloy
<b>Seals:</b>	PUR
<b>Lubricant:</b>	Not required
<b>Operating medium:</b>	5 micron filtered, lubricated or non-lubricated compressed air

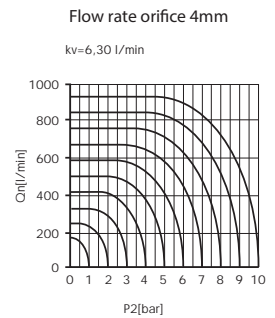
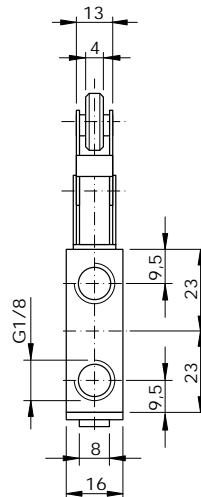
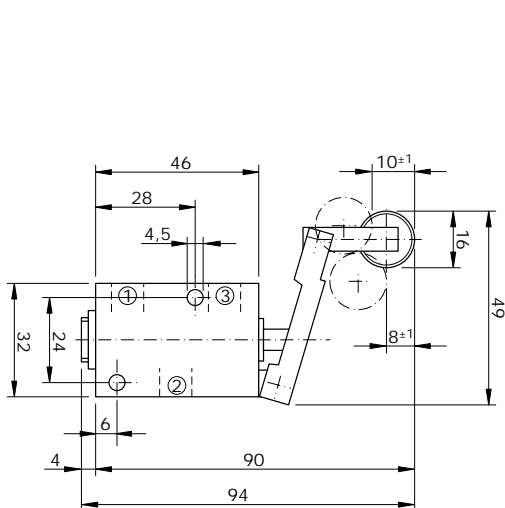


### Other information

For NPT ports use prefix code "75" for example 75.XXX.XX.XX

Symbol	Description	Type	Orifice	Ports	Order code
	2/2 way spring return normally closed	Poppet	4mm	G1/8	<b>76.025.24.21</b>
	3/2 way spring return normally closed	Poppet	4mm	G1/8	<b>76.026.24.21</b>

### Dimensional drawings



**Impulse Automation Limited**  
 United Kingdom  
 Company Registration 665193