

# Mechanically Operated Pneumatic Valves

## 2/2 & 3/2 Way Compact Roller Lever Valve Two Way

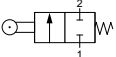
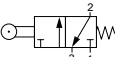
### Technical information

|                           |  |
|---------------------------|--|
| <b>Pressure range:</b>    | 0-10 bar   |
| <b>Temperature range:</b> | -15°C...+50°C  |
| <b>Housing:</b>           | Die-cast and lacquered zinc alloy                              |
| <b>Seals:</b>             | PUR  |
| <b>Lubricant:</b>         | Not required   |
| <b>Operating medium:</b>  | 5 micron filtered, lubricated or non-lubricated compressed air |

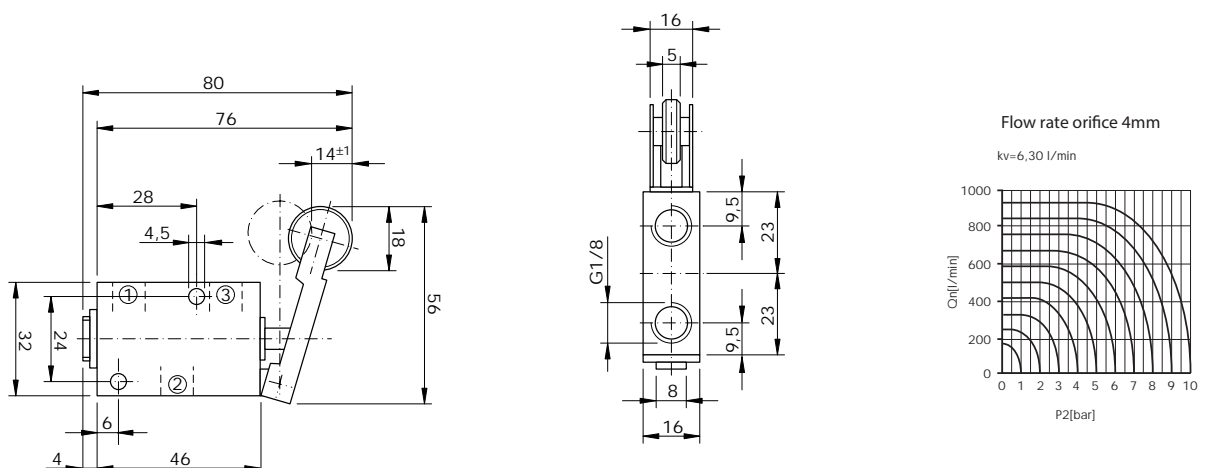
### Other information

For NPT ports use prefix code "75" for example 75.XXX.XX.XX



| Symbol  | Description                           | Type   | Orifice | Ports | Order code          |
|---|---------------------------------------|--------|---------|-------|---------------------|
|   | 2/2 way spring return normally closed | Poppet | 4mm     | G1/8  | <b>76.025.23.21</b> |
|  | 3/2 way spring return normally closed | Poppet | 4mm     | G1/8  | <b>76.026.23.21</b> |

### Dimensional drawings



**Impulse Automation Limited**  
**United Kingdom**  
**Company Registration 665193**

Information shown in these data sheets are for guidance purposes only, no liability is accepted for any errors or omissions. The designer or user is solely responsible for the safe and proper use of these parts, assemblies or equipment described.