

# Kuhnke Pneumatic Rotary Actuator

## 50mm Diameter - Double Acting

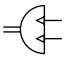
### Technical information

<b>Pressure range:</b>	2-8 bar
<b>Temperature range:</b>	-10°C...+70°C
<b>Stroke volume:</b>	Approx. 22 cm <sup>3</sup> (One switching cycle/forward and return).
<b>Angular travel:</b>	90°+5°
<b>Housing/shaft:</b>	Aluminium alloy/CrNi steel
<b>Seals:</b>	Perbunan
<b>Lubricant:</b>	Shell Tellus C10
<b>Operating medium:</b>	5 micron filtered, lubricated or non-lubricated compressed air.

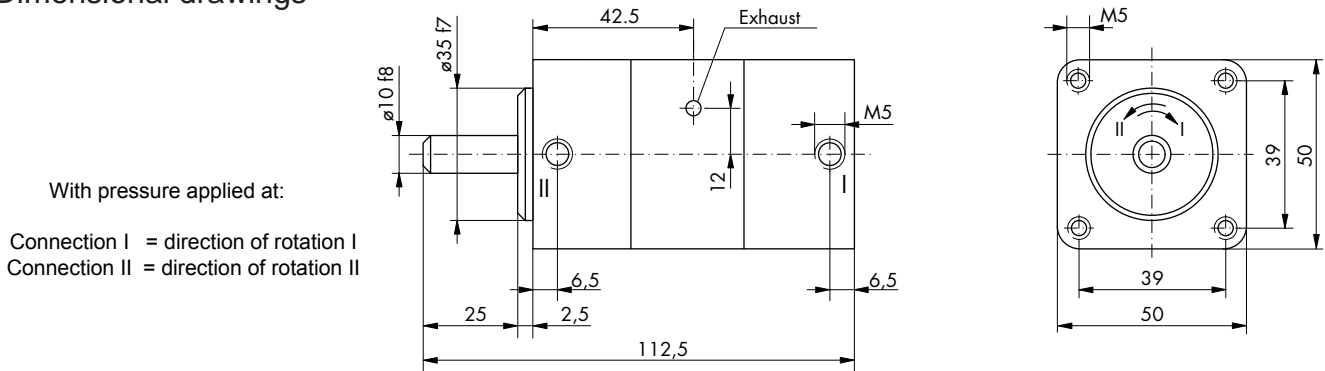


### Other information

The angle of rotation can be limited by fitting an external stop.

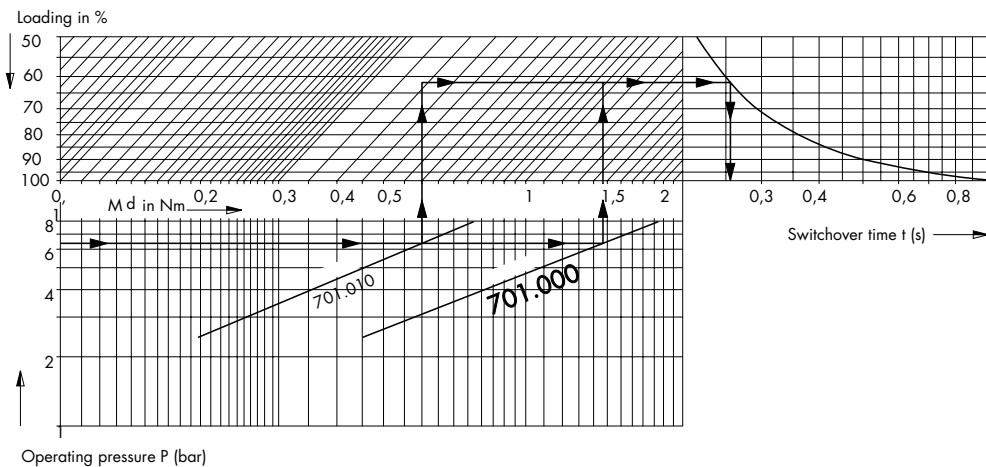
Symbol	Description	Ports	Order code
	Rotary actuator double acting	M5	701.000

### Dimensional drawings



With pressure applied at:

Connection I = direction of rotation I  
 Connection II = direction of rotation II



**Impulse Automation Limited**  
**United Kingdom**  
**Company Registration 665193**

Information shown in these data sheets are for guidance purposes only, no liability is accepted for any errors or omissions. The designer or user is solely responsible for the safe and proper use of these parts, assemblies or equipment described.