

Solenoid Operated Pneumatic Valves

5/2 & 5/3 Double Solenoid Control Valve G1/8 Ports

Technical information

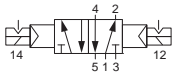
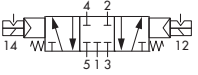
Pressure range: 2.5-10 bar
Temperature range: -15°C...+50°C
Housing: Die cast and lacquered aluminium alloy
Seals: NBR
Lubricant: Not required
Earthing contact: Part of the standard device.
Operating medium: 5 micron filtered, lubricated or non-lubricated compressed air



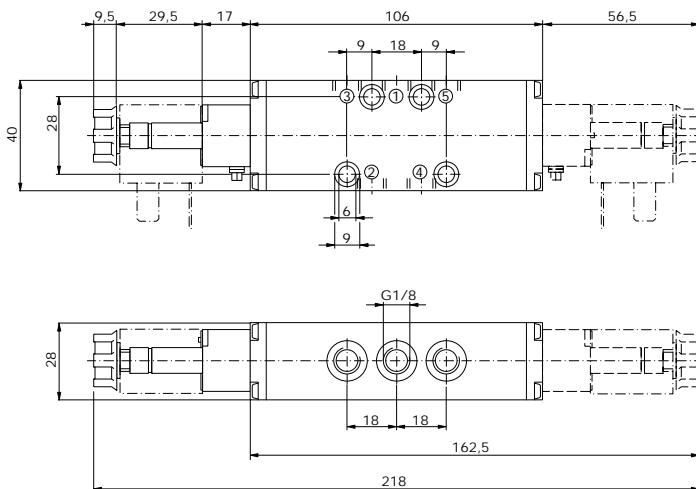
Other information



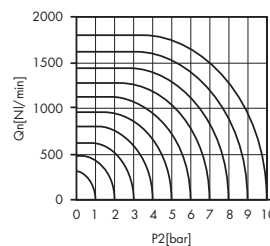
For ATEX certification use suffix code "EX" for example 76.XXX.XX.XX.EX
 For NPT ports use use prefix code "75" for example 75.XXX.XX.XX
 Order coils & connecting plugs separately, see data sheet M1002.

| Symbol | Description | Type | Orifice | Ports | Order code |
|---|--|--------|---------|-------|---------------------|
|  | 5/2 way double solenoid | Poppet | 6mm | G1/8 | 76.027.92.00 |
| | 5/2 way double solenoid | Spool | 6mm | G1/8 | 76.023.92.00 |
|  | 5/3 way spring return to centre all ports closed | Spool | 6mm | G1/8 | 76.024.12.00 |
| | 5/3 way spring return to centre, ports 2 & 4 exhaust | Spool | 6mm | G1/8 | 76.024.02.00 |

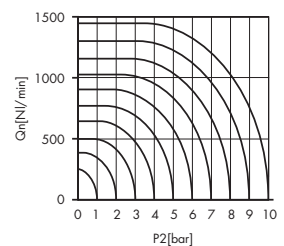
Dimensional drawings



Flow rate orifice 6mm poppet type
 kv=12,3 l/min



Flow rate orifice 6mm spool type
 kv=9,7 l/min



Impulse Automation Limited
United Kingdom
Company Registration 665193