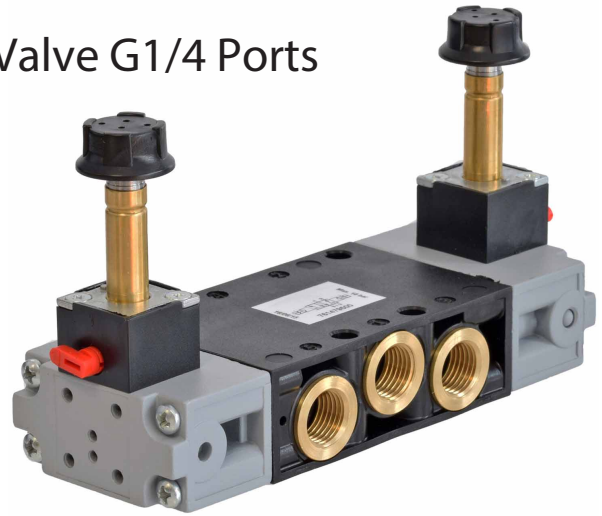


Solenoid Operated Pneumatic Valves

5/2 & 5/3 Way Double Solenoid Control Valve G1/4 Ports

Technical information

Pressure range:	2.5-10 bar
Temperature range:	-15°C...+50°C
Housing:	Glass fibre reinforced PPA
Seals:	NBR
Lubricant:	Not required
Earthing contact:	Part of the standard device.
Operating medium:	5 micron filtered, lubricated or non-lubricated compressed air.

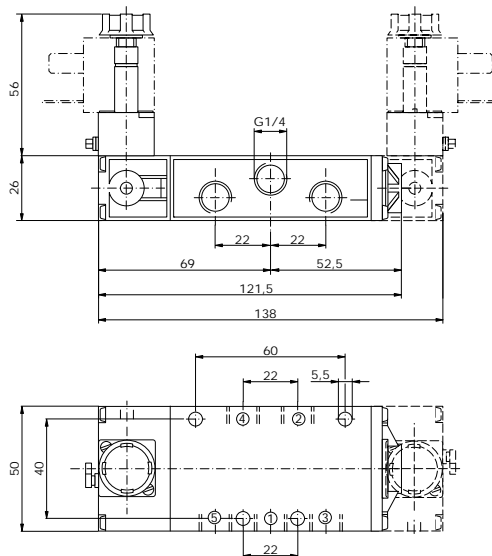


Other information

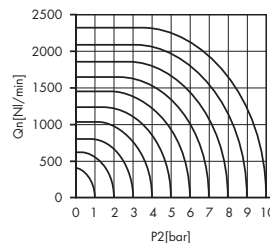
For NPT ports use prefix code "75" for example 75.XXX.XX.XX
 Order coils & connecting plugs separately, see data sheet M1002.

Symbol	Description	Type	Orifice	Ports	Order code
	5/2 way double solenoid	Poppet	8mm	G1/4	76.147.95.00
	5/2 way double solenoid	Spool	8mm	G1/4	76.143.95.00
	5/3 way spring return to centre all ports closed	Spool	8mm	G1/4	76.144.15.00
	5/3 way spring return to centre, ports 2 & 4 exhaust	Spool	8mm	G1/4	76.144.05.00

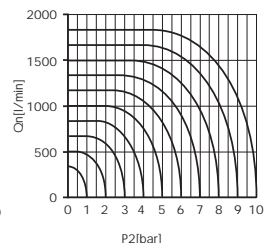
Dimensional drawings



Flow rate orifice 8mm poppet type
 $kv=15,8 \text{ l/min}$



Flow rate orifice 8mm spool type
 $kv=12,40 \text{ l/min}$



Impulse Automation Limited
United Kingdom
Company Registration 665193