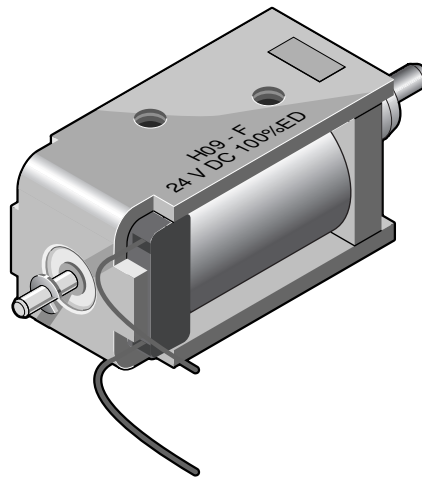


H09 Series Linear Solenoid Push and Pull Type

H	09	- F -	24 V DC	100 % ED	Order specifications
H					Linear solenoid
	09				Sizes
					Coil terminals
		F			Flying leads (5 cm standard length)
			24		Nominal voltage (standard voltage) ¹⁾
				100 % ED	Perm. duty cycle under air cooled conditions (LK)

¹⁾ Other voltages are available up to 24 V DC

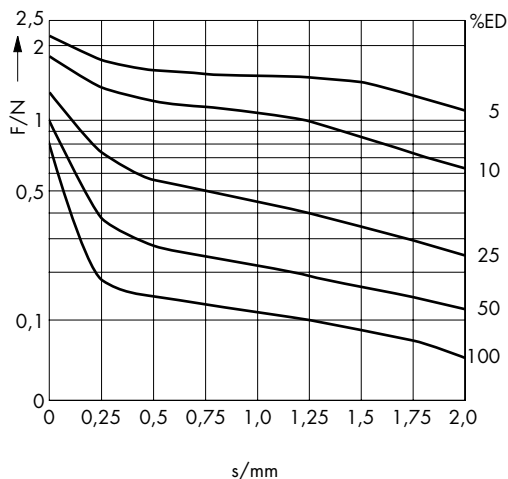


Weight:
 Complete solenoid: 6.3 g
 Armature: 2 g
 Standard:
 Voltage: 24 V DC
 Flying leads: 5 cm
 Insulation class: E (max. permissible temperature = 120 °C)

Long life expectancy through plastic bobbin armature bearing.

	100	50	25	9	5	% Perm. duty cycle (ED) ²⁾
	1,6	3,1	5,7	14,5	24,5	W Nominal coil power P _n

²⁾ If solenoid is mounted directly onto a flat metal surface of at least 45 cm², the duty cycle can be extended up to 1.3 x nominal rating



Force vs. Stroke diagram $F = f(s)$

Force measured when operating in horizontal position, at 90 % rated voltage and with winding at operating temperature

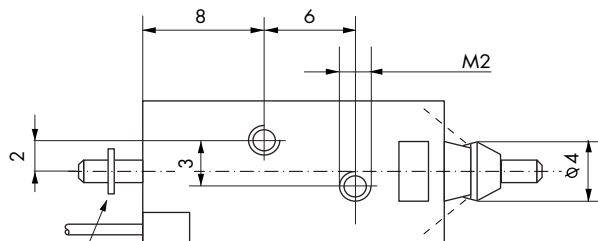
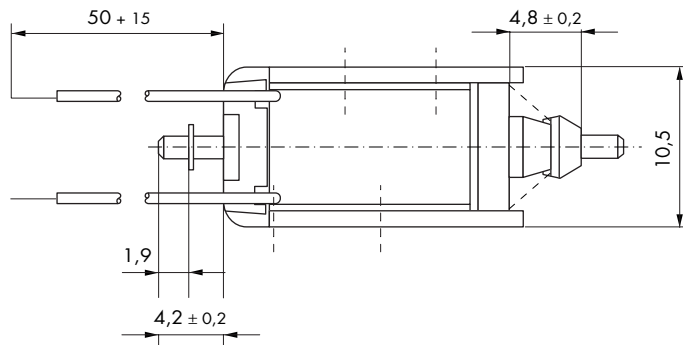
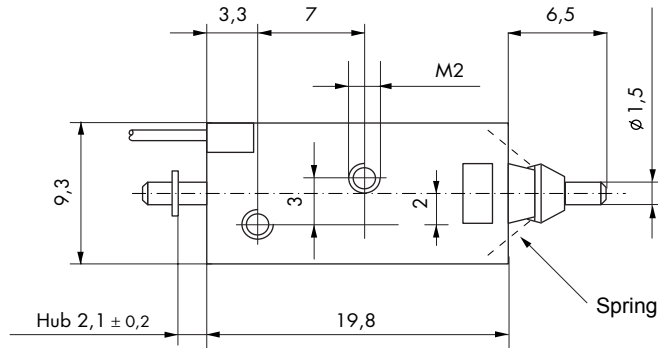
stroke $s = 0$ corresponds to armature in fully home position

Impulse Automation Limited
United Kingdom
Company Registration 665193

Information shown in these data sheets are for guidance purposes only, no liability is accepted for any errors or omissions. The designer or user is solely responsible for the safe and proper use of these parts, assemblies or equipment described.

H09 Series Linear Solenoid Push and Pull Type

Series H 09 combi type solenoid



Si-Ri 1,2 DIN6799

Dimensions given with armature
 in fully home position
 ←
 Direction of stroke

Impulse Automation Limited
United Kingdom
Company Registration 665193

Information shown in these data sheets are for guidance purposes only, no liability is accepted for any errors or omissions. The designer or user is solely responsible for the safe and proper use of these parts, assemblies or equipment described.