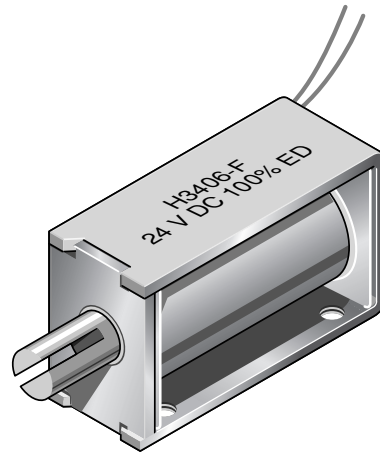


H34 Series Linear Solenoid Push and/or Pull Type

H	D*	34	06	- F -	24 V DC	100 % ED	Order specifications
H							Linear solenoid
	D*						DU armature
		34					Sizes
							Design type
			06				Pull type solenoid
			46				Thrust type solenoid
			86-R				Combi type solenoid with return spring ²⁾
							Coil terminals
				F			Flying leads (10 cm standard length)
					24		Nominal voltage (standard voltage) ³⁾
						100 % ED	Perm. duty cycle under air cooled conditions (LK)

²⁾ Series H 3486-R... solenoids are available with return spring F (0 mm) = 1.25 N and F (10 mm) = 0.75 N
³⁾ Other DC voltages are available on request.

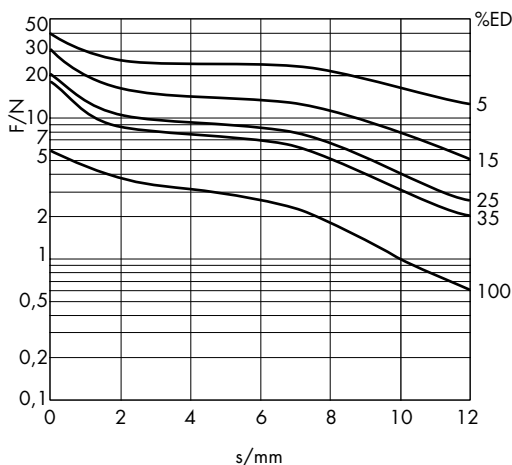


Weight:
 Complete solenoid: appr. 140 g
 Armature: appr. 32 g
 Standard:
 Voltage: 24 V DC
 Flying leads: 10 cm
 Insulation class: B (max. permissible temperature = 130 °C)

Long life expectancy through plastic bobbin armature bearing.
 * On request, the solenoid can also be supplied with service-free DU armature bearing for maximum durability.

	100	35	25	15	5	% Perm. duty cycle (ED) ⁴⁾
	8	23	30	57	144	W Nominal coil power P _n
	45				16	ms Actuation time (ED)

⁴⁾ If solenoid is mounted directly onto a flat metal surface of at least 100 cm², the duty cycle can be extended up to 1.3 x nominal rating



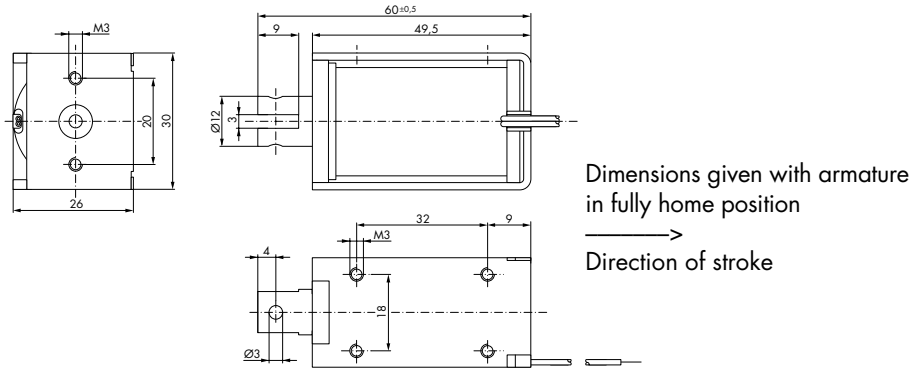
Force vs. Stroke diagram $F = f(s)$
 Force measured when operating in horizontal position, at 90 % rated voltage and with winding at operating temperature
 stroke $s = 0$ corresponds to armature in fully home position
 Force vs. stroke characteristics measured without return spring

Impulse Automation Limited
United Kingdom
Company Registration 665193

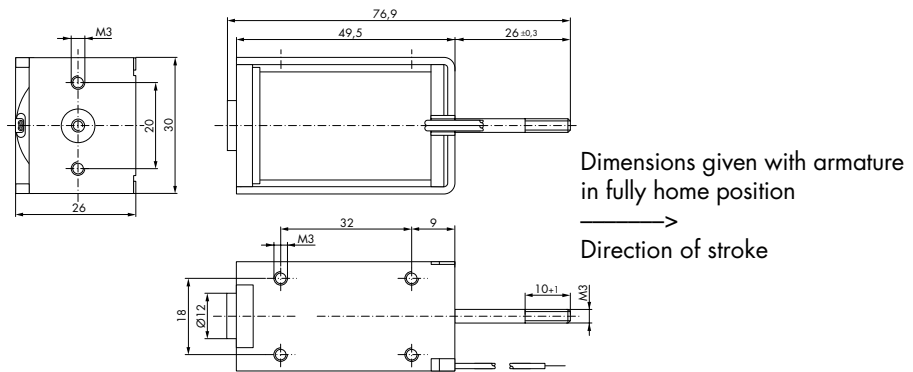
Information shown in these data sheets are for guidance purposes only, no liability is accepted for any errors or omissions. The designer or user is solely responsible for the safe and proper use of these parts, assemblies or equipment described.

H34 Series Linear Solenoid Push and/or Pull Type

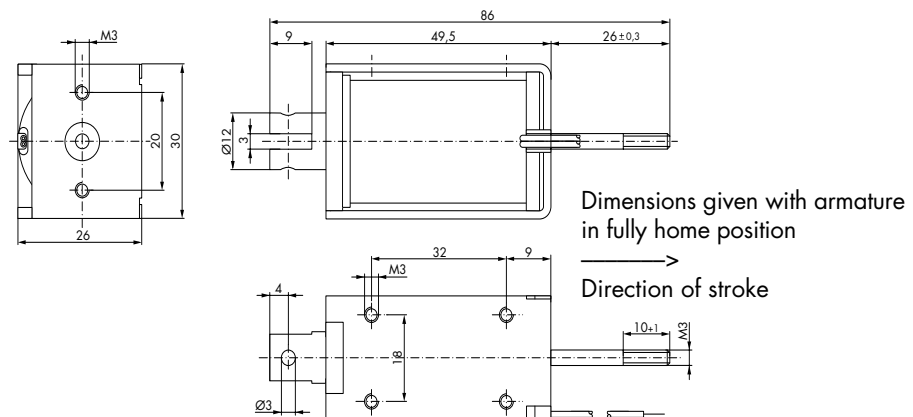
H3406 pull type solenoid



H3446 thrust type solenoid



H3486-R combi type solenoid with return spring



Impulse Automation Limited
United Kingdom
Company Registration 665193

Information shown in these data sheets are for guidance purposes only, no liability is accepted for any errors or omissions. The designer or user is solely responsible for the safe and proper use of these parts, assemblies or equipment described.