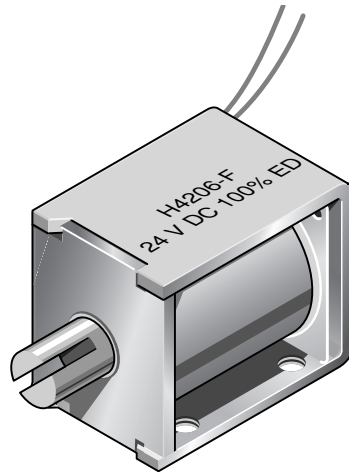


H42 Series Linear Solenoid Push and/or Pull Type

H	42	06	- F -	24 V DC	100 % ED	Order specifications
H						Linear solenoid
	42					Sizes
						Design type
		06				Pull type solenoid
		46				Thrust type solenoid
		86-R				Combi type solenoid with return spring ²⁾
						Coil terminals
			F			Flying leads (10 cm standard length)
				24		Nominal voltage (standard voltage) ³⁾
					100 % ED	Perm. duty cycle under air cooled conditions (LK)

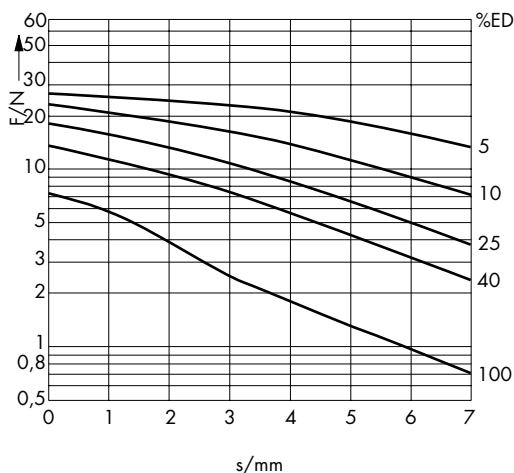
²⁾ Series H 4286-R... solenoids are available with return spring F (0 mm) = 1.9 N and F (7 mm) = 0.35 N
³⁾ Other DC voltages are available on request.



Weight:
 Complete solenoid: appr. 145 g
 Armature: appr. 25 g
 Standard:
 Voltage: 24 V DC
 Flying leads: 10 cm
 Insulation class: E (max. permissible temperature = 120 °C)

	100	40	25	15	5	% Perm. duty cycle (ED) ⁴⁾
	6,2	16	26	39	98	W Nominal coil power P _n
	24	9				ms Actuation time (ED)

⁴⁾ If solenoid is mounted directly onto a flat metal surface of at least 100 cm², the duty cycle can be extended up to 1.3 x nominal rating



Force vs. Stroke diagram $F = f(s)$

Force measured when operating in horizontal position, at 90 % rated voltage and with winding at operating temperature

stroke $s = 0$ corresponds to armature in fully home position

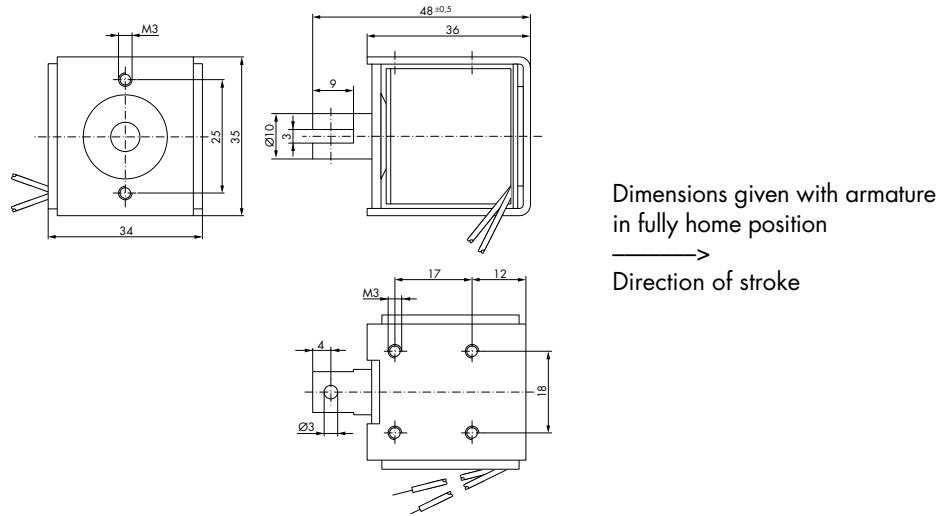
Force vs. stroke characteristics measured without return spring

Impulse Automation Limited
United Kingdom
Company Registration 665193

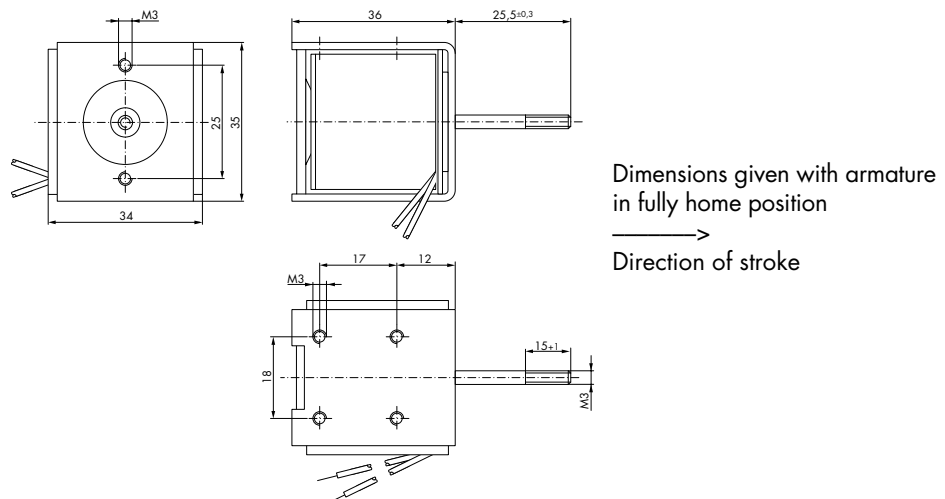
Information shown in these data sheets are for guidance purposes only, no liability is accepted for any errors or omissions. The designer or user is solely responsible for the safe and proper use of these parts, assemblies or equipment described.

H42 Series Linear Solenoid Push and/or Pull Type

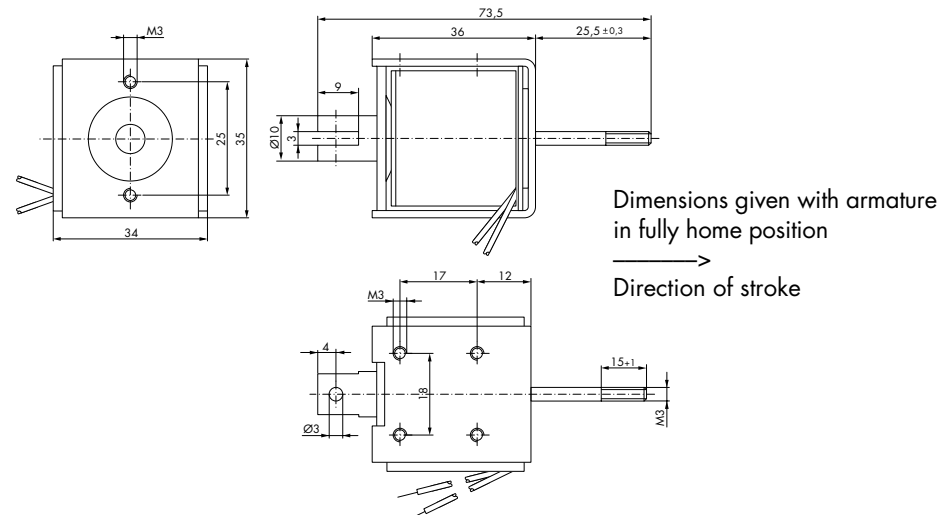
H4206 pull type solenoid



H4246 thrust type solenoid



H4286-R combi type solenoid with return spring



Impulse Automation Limited
United Kingdom
Company Registration 665193

Information shown in these data sheets are for guidance purposes only, no liability is accepted for any errors or omissions. The designer or user is solely responsible for the safe and proper use of these parts, assemblies or equipment described.