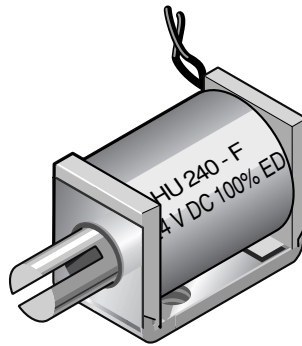


# HU24 Series Linear Solenoid Push or Pull Type

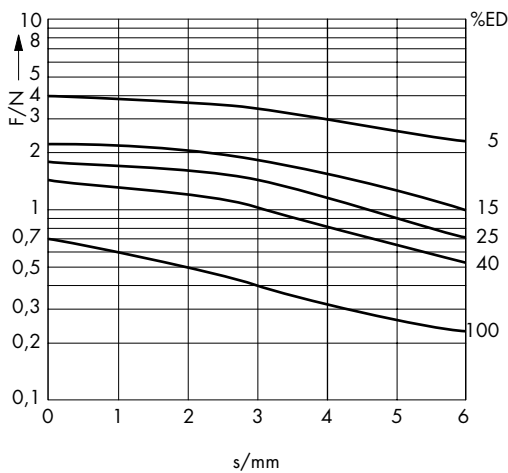
HU	24	0	- F -	24 V DC	100 % ED	Order specifications
HU						Linear solenoid
	24					Sizes
						Design type
		0				Pull type solenoid
		4				Thrust type solenoid
						Coil terminals
			F			Flying leads (10 cm standard length)
			A			Push-on connector (optional)
				24		Nominal voltage (standard voltage) <sup>1)</sup>
					100 % ED	Perm. duty cycle under air cooled conditions (LK)

<sup>1)</sup> Other DC voltages are available on request.



Weight:  
 Complete solenoid: appr. 27 g  
 Armature: appr. 5 g  
 Standard:  
 Voltage: 24 V DC  
 Flying leads: 10 cm  
 Insulation class: E (max. permissible temperature = 120 °C)

	100	40	25	15	5	% Perm. duty cycle (ED) <sup>2)</sup>
	2,9	6,7	11	15	44	W Nominal coil power P <sub>n</sub>
	14				5	ms Actuation time (ED) <sup>3)</sup>



Force vs. Stroke diagram  $F = f(s)$

Force measured when operating in horizontal position, at 90 % rated voltage and with winding at operating temperature

stroke  $s = 0$  corresponds to armature in fully home position

<sup>2)</sup> If solenoid is mounted directly onto a flat metal surface of at least 100 cm<sup>2</sup>, the duty cycle can be extended up to 1.3 x nominal rating

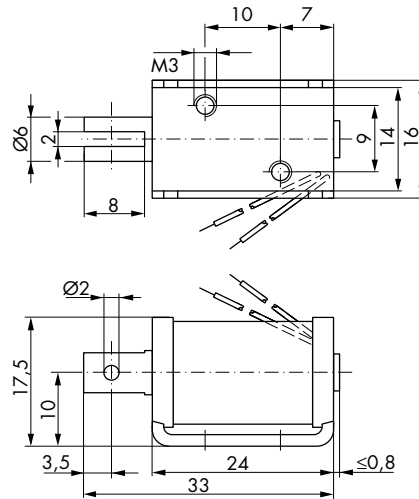
<sup>3)</sup> Stroke 4 mm

**Impulse Automation Limited**  
**United Kingdom**  
**Company Registration 665193**

Information shown in these data sheets are for guidance purposes only, no liability is accepted for any errors or omissions. The designer or user is solely responsible for the safe and proper use of these parts, assemblies or equipment described.

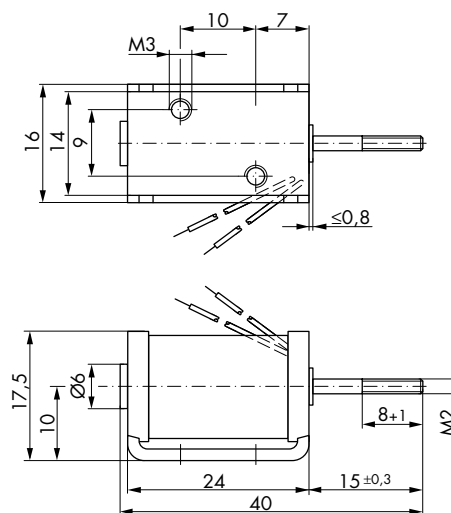
# HU24 Series Linear Solenoid Push or Pull Type

Series HU 240 pull type solenoid



Dimensions given with armature  
 in fully home position  
 →  
 Direction of stroke

Series HU 244 thrust type solenoid



Dimensions given with armature  
 in fully home position  
 →  
 Direction of stroke

**Impulse Automation Limited**  
**United Kingdom**  
**Company Registration 665193**

Information shown in these data sheets are for guidance purposes only, no liability is accepted for any errors or omissions. The designer or user is solely responsible for the safe and proper use of these parts, assemblies or equipment described.