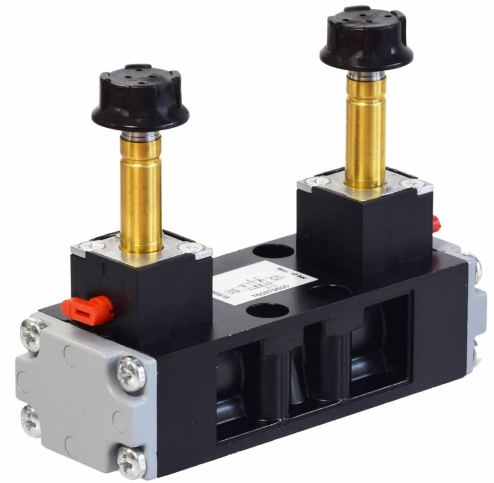


ISO 1 Solenoid Operated Pneumatic Valves


5/2 Way Double Solenoid Control Valve

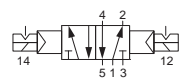
Technical information

Pressure range:	2.5-10 bar
Temperature range:	-15°C...+50°C
Housing:	Die-cast and lacquered aluminium alloy
Seals:	NBR
Lubricant:	Not required.
Earthing contact:	Part of the standard device.
Operating medium:	5 micron filtered, lubricated or non-lubricated compressed air.

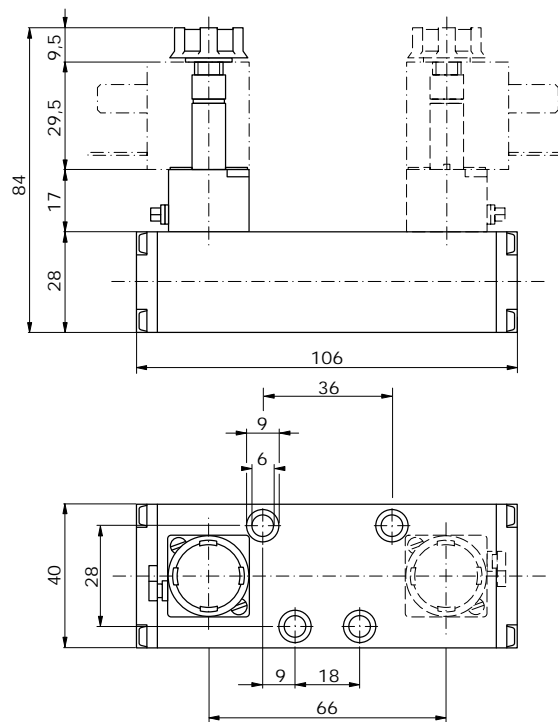


Other information

 For ATEX certification use suffix code "EX" for example 76.XXX.XX.XX.EX
 Subplates are available for this product, see data sheets M1004 & M1005.
 Order coils & connecting plugs separately, see data sheet M1002.

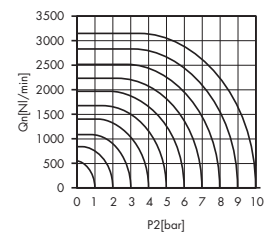
Symbol	Description	Type	Orifice	Order code
	5/2 way double solenoid	Poppet	6mm	76.087.95.00
	5/2 way double solenoid	Spool	6mm	76.083.95.00

Dimensional drawings



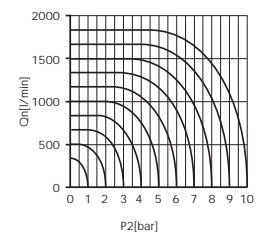
Flow rate orifice poppet type

kv=21,7 l/min



Flow rate orifice spool type

kv=12,40 l/min



Impulse Automation Limited
United Kingdom
Company Registration 665193